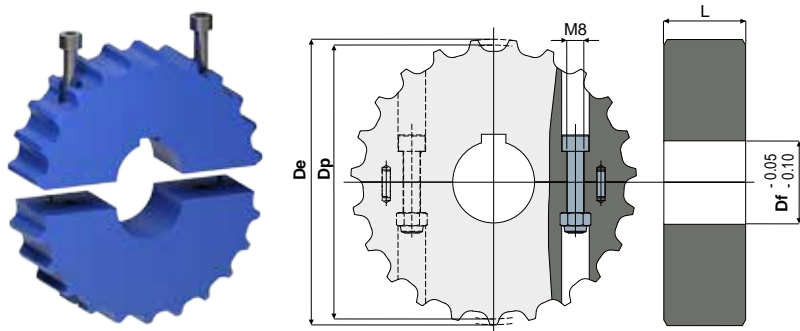


Idler wheels

Part. 573 Split sprocket 23 teeth (machined, for chains series 815)



L = 40			
Df (mm)	Dp (mm)	De (mm)	Code
25	141,2	141,9	573 / 90921
30	141,2	141,9	573 / 90922
35	141,2	141,9	573 / 90923
40	141,2	141,9	573 / 90924

L = 41,3			
Df (mm)	Dp (mm)	De (mm)	Code
25	141,2	141,9	573 / 91346
30	141,2	141,9	573 / 91347
35	141,2	141,9	573 / 91348
40	141,2	141,9	573 / 91349

NEW
NEW
NEW
NEW

MATERIALS: Wheel made of polyamide blue Ral 5005 colour; screws made of stainless steel AISI 304, nuts in nickel plated brass.

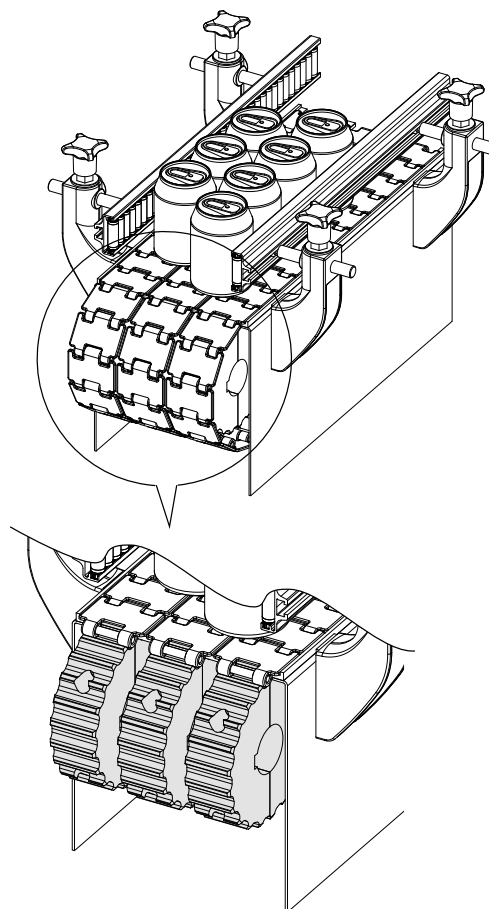
FEATURES: Dimensions of the keyway UNI 6604-69 - DIN 6885/1.

BOX QUANTITY: 8 pieces.

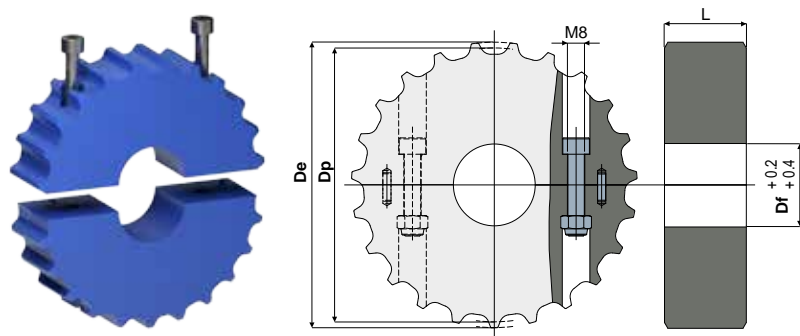
ON REQUEST:

- Wheels: With 18 mm. hole diameter to be machined.
- Wheels: In polyamide blue Ral 5005 FDA APPROVED.
- Box quantity: According to your request.

Example of application



Part. 572 Split idler wheel 23 teeth (machined, for chains series 815)



L = 40			
Df (mm)	Dp (mm)	De (mm)	Code
25	141,2	141,9	572 / 90917
30	141,2	141,9	572 / 90918
35	141,2	141,9	572 / 90919
40	141,2	141,9	572 / 90920

L = 41,3			
Df (mm)	Dp (mm)	De (mm)	Code
25	141,2	141,9	572 / 91342
30	141,2	141,9	572 / 91343
35	141,2	141,9	572 / 91344
40	141,2	141,9	572 / 91345

NEW
NEW
NEW
NEW

MATERIALS: Wheel made of polyamide blue Ral 5005 colour; screws made of stainless steel AISI 304, nuts in nickel plated brass.

BOX QUANTITY: 8 pieces.

ON REQUEST:

- Wheels: With 18 mm. hole diameter to be machined.
- Wheels: In polyamide blue Ral 5005 FDA APPROVED.
- Box quantity: According to your request.