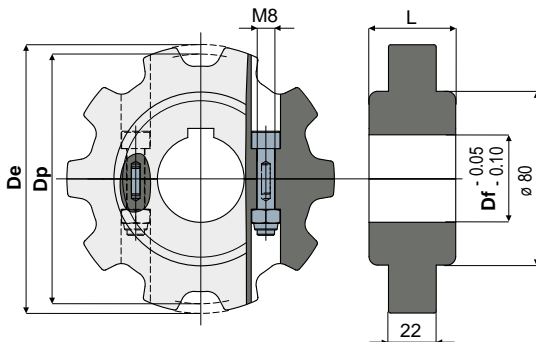


# Idler wheels

## Part. 589 Split sprocket 10 teeth (machined, for chains series 882, 882 TAB)



L = 40			
Df (mm)	Dp (mm)	De (mm)	Code
25	123,2	123,7	589 / 90985
30	123,2	123,7	589 / 90986
35	123,2	123,7	589 / 90987
40	123,2	123,7	589 / 90988

L = 42,5			
Df (mm)	Dp (mm)	De (mm)	Code
25	123,2	123,7	589 / 91386
30	123,2	123,7	589 / 91387
35	123,2	123,7	589 / 91388
40	123,2	123,7	589 / 91389

NEW  
NEW  
NEW  
NEW

**MATERIALS:** Wheel made of polyamide blue Ral 5005 colour; screws made of stainless steel AISI 304, nuts in nickel plated brass.

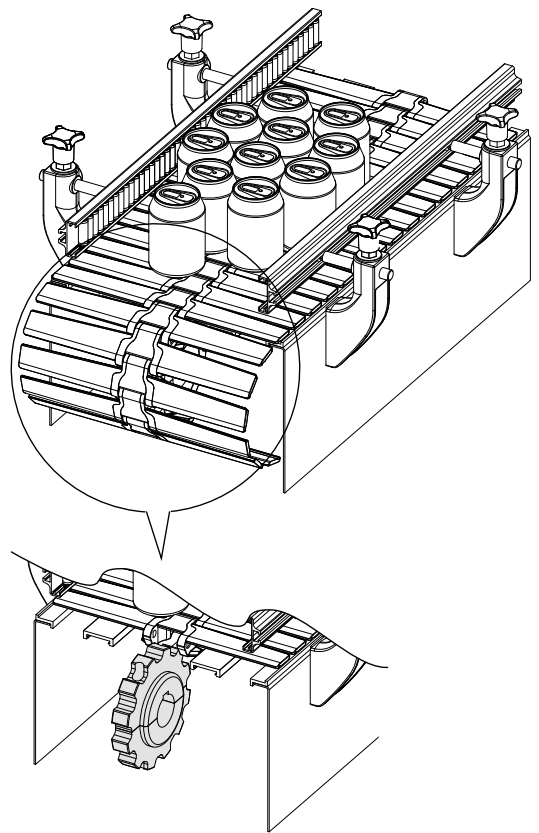
**FEATURES:** Dimensions of the keyway UNI 6604-69 - DIN 6885/1.

**BOX QUANTITY:** 8 pieces.

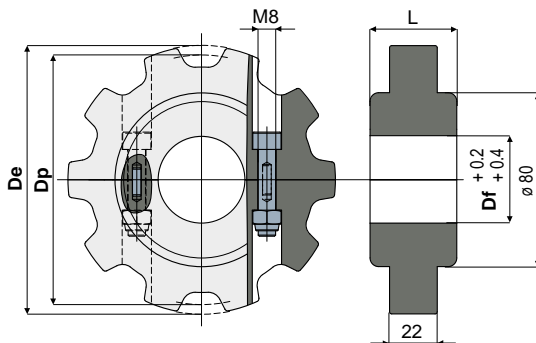
**ON REQUEST:**

- Wheels: With 18 mm. hole diameter to be machined.
- Wheels: In polyamide blue Ral 5005 FDA APPROVED.
- Box quantity: According to your request.

### Example of application



## Part. 588 Split idler wheel 10 teeth (machined, for chains series 882, 882 TAB)



L = 40			
Df (mm)	Dp (mm)	De (mm)	Code
25	123,2	123,7	588 / 90981
30	123,2	123,7	588 / 90982
35	123,2	123,7	588 / 90983
40	123,2	123,7	588 / 90984

L = 42,5			
Df (mm)	Dp (mm)	De (mm)	Code
25	123,2	123,7	588 / 91382
30	123,2	123,7	588 / 91383
35	123,2	123,7	588 / 91384
40	123,2	123,7	588 / 91385

NEW  
NEW  
NEW  
NEW

**MATERIALS:** Wheel made of polyamide blue Ral 5005 colour; screws made of stainless steel AISI 304, nuts in nickel plated brass.

**BOX QUANTITY:** 8 pieces.

**ON REQUEST:**

- Wheels: With 18 mm. hole diameter to be machined.
- Wheels: In polyamide blue Ral 5005 FDA APPROVED.
- Box quantity: According to your request.