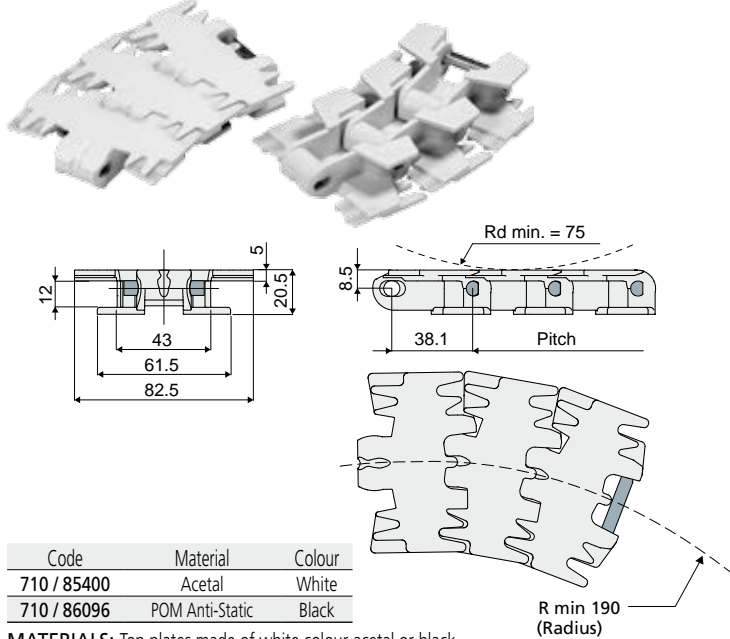


Chains and accessories

Part. 710 Sideflex chain (879 TAB Safety Finger)

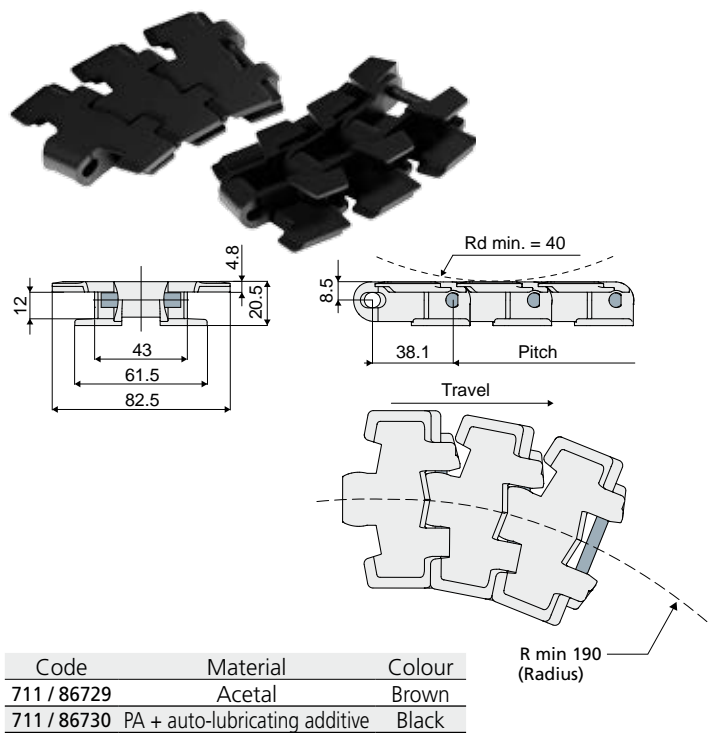


Code	Material	Colour
710 / 85400	Acetal	White
710 / 86096	POM Anti-Static	Black

MATERIALS: Top plates made of white colour acetal or black electrically conductive acetal (POM); pins made of stainless steel AISI 304.
FEATURES: To be used with wheels: Part.310, 457, 456, 455, 454, 458, 459. Max. working load: 2100 N.
BOX QUANTITY: 3,05 Mt.

- ON REQUEST:**
- Top plates: In different materials; other colours.
 - Box quantity: According to your request.

Part. 711 Sideflex chain (879 TAB BO)



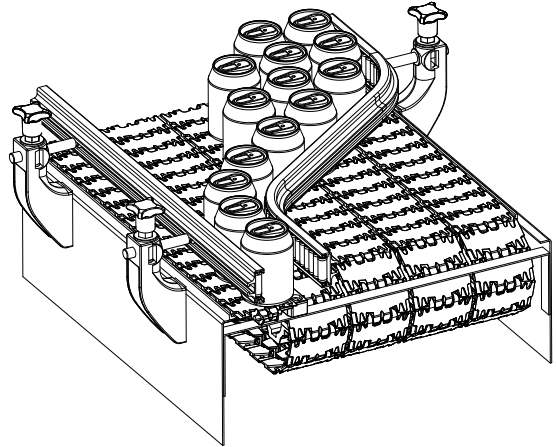
Code	Material	Colour
711 / 86729	Acetal	Brown
711 / 86730	PA + auto-lubricating additive	Black

MATERIALS: Top plates in brown colour acetal or in black colour polyamide with auto-lubricating additive; pins in stainless steel AISI 304.
FEATURES: To be used with wheels: Part.310, 457, 456, 455, 454, 458, 459. Max. working load: 2100 N.
BOX QUANTITY: 3,05 Mt.

ON REQUEST:

- Top plates: In different materials; other colours.
- Box quantity: According to your request.

Example of application



Example of application

