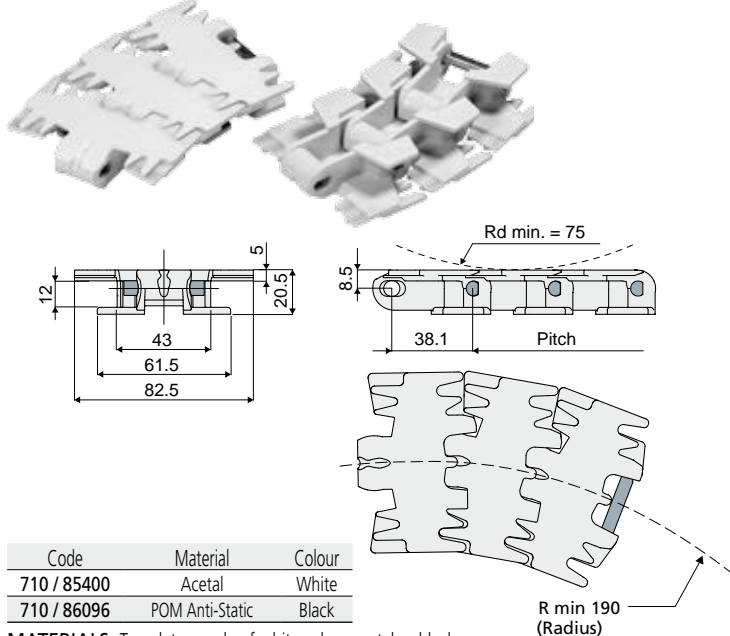


# Chains and accessories

## Part. 710 Sideflex chain (879 TAB Safety Finger)

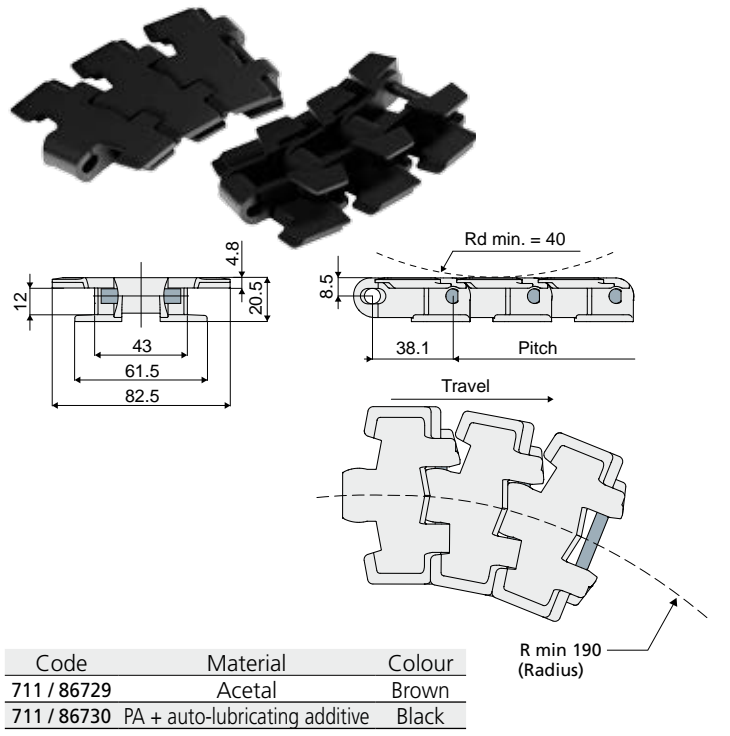


Code	Material	Colour
710 / 85400	Acetal	White
710 / 86096	POM Anti-Static	Black

**MATERIALS:** Top plates made of white colour acetal or black electrically conductive acetal (POM); pins made of stainless steel AISI 304.  
**FEATURES:** To be used with wheels: Part.310, 457, 456, 455, 454, 458, 459. Max. working load: 2100 N.  
**BOX QUANTITY:** 3,05 Mt.  
**ON REQUEST:**

- Top plates: In different materials; other colours.
- Box quantity: According to your request.

## Part. 711 Sideflex chain (879 TAB BO)

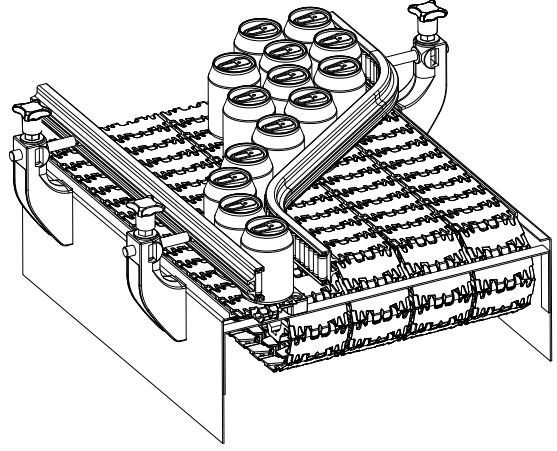


Code	Material	Colour
711 / 86729	Acetal	Brown
711 / 86730	PA + auto-lubricating additive	Black

**MATERIALS:** Top plates in brown colour acetal or in black colour polyamide with auto-lubricating additive; pins in stainless steel AISI 304.  
**FEATURES:** To be used with wheels: Part.310, 457, 456, 455, 454, 458, 459. Max. working load: 2100 N.  
**BOX QUANTITY:** 3,05 Mt.  
**ON REQUEST:**

- Top plates: In different materials; other colours.
- Box quantity: According to your request.

### Example of application



### Example of application

