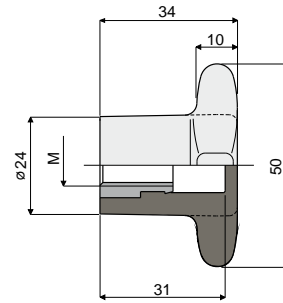
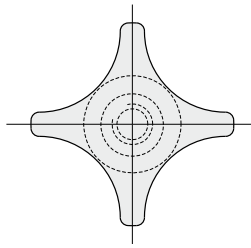


Knobs and handles

Part. 226 Knob for bracket



M	Code
M8	226 / 81147
M10	226 / 80678
M12	226 / 81148

MATERIALS: Knob made of reinforced polyamide black colour; threaded bushing made of nickel plated brass.

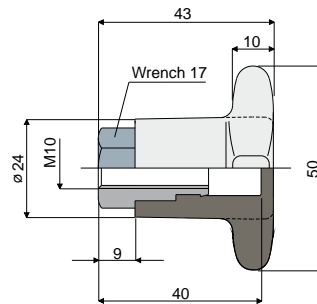
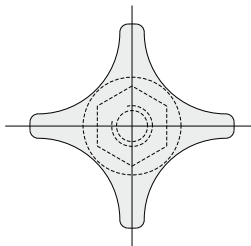
FEATURES: Accessory to be used with heads Part.221 and 266.

BOX QUANTITY: 24 pieces.

ON REQUEST:

- Knobs: In reinforced polypropylene, other colours.
- Box quantity: According to your request.

Part. 227 Knob for bracket



Code
227 / 80679

MATERIALS: Knob made of reinforced polyamide black colour; threaded bushing made of nickel plated brass.

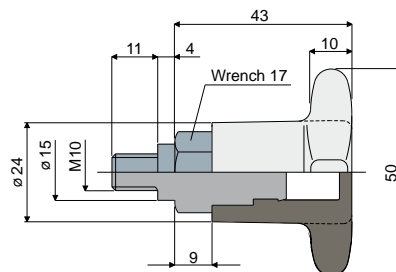
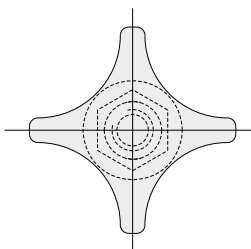
FEATURES: Accessory to be used with heads Part.221 and 266.

BOX QUANTITY: 24 pieces.

ON REQUEST:

- Knobs: In reinforced polypropylene, other colours.
- Box quantity: According to your request.

Part. 228 Knob for bracket



Code
228 / 80680

MATERIALS: Knob made of reinforced polyamide black colour; threaded bushing made of nickel plated brass.

FEATURES: Accessory to be used with head Part.223.

BOX QUANTITY: 24 pieces.

ON REQUEST:

- Knobs: In reinforced polypropylene, other colours.
- Box quantity: According to your request.