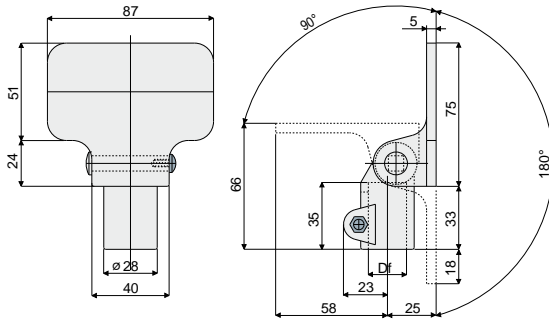


Clamps

Part. 206

Clamp support for photocells (for photocells and reflectors)



Df Bore for pin of (mm)	Code
12	206 / 82010 (can be used also with square pins 10x10)
14	206 / 80818
15	206 / 80819
16	206 / 80820
18	206 / 80821
20	206 / 80822

MATERIALS: Clamp made of reinforced polyamide black colour; bolts and nuts made of stainless steel AISI 304.

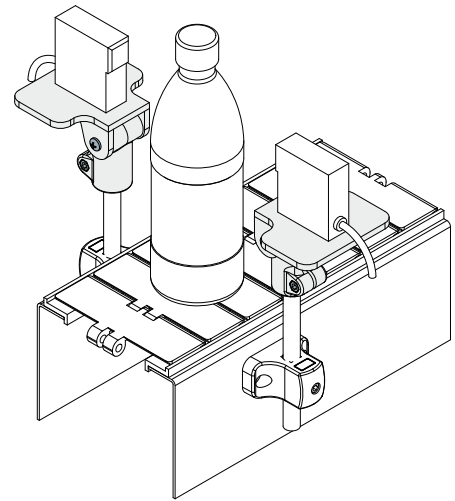
FEATURES: Possibility of assembly in various positions.

BOX QUANTITY: 24 pieces.

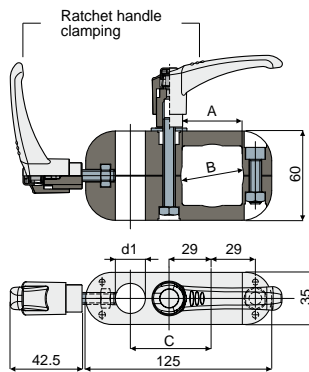
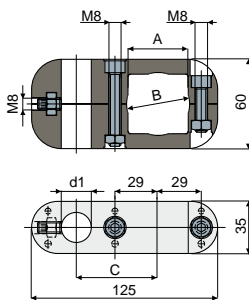
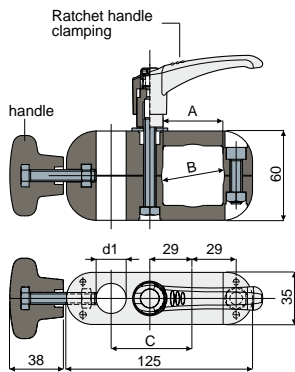
ON REQUEST:

- Clamps: In different colours.
- Box quantity: According to your request.

Example of application



Part. 435 Cross clamp for central roller guides support



Type 1

Type 2

Type 3

Square tube	Round tube	Pin ø	Type 1	Type 2	Type 3	
A	B	C	d1	Code	Code	Code
40	42,4	58	15-16	435 / 85166	435 / 85167	435 / 86692
		56	20	435 / 85168	435 / 85169	435 / 86691

MATERIALS: Clamp and handles are made of reinforced polyamide black colour; nuts, screws and washer in stainless steel AISI 304.

FEATURES: They are used to support the central rollers side guides.

BOX QUANTITY: 8 pieces.

ON REQUEST:

- Assembling of: Handles, bolts and nuts.
- Box quantity: According to your request.

Example of application

