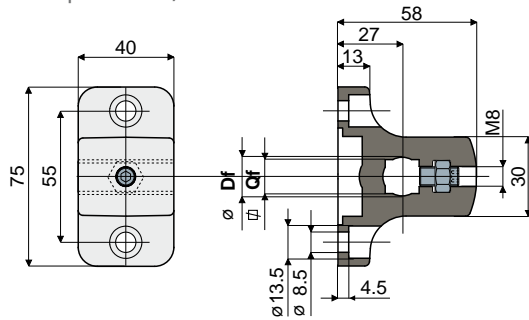


Clamps

Part. 539 "T" clamp (to support rails and photocells)



Bore for pin of		Code
Df round (mm)	Qf square (mm)	
16	14	539 / 89101
18	16	539 / 89102
20	18	539 / 89103



MATERIALS: Clamp made of reinforced polyamide black colour; grub screw and nut made of stainless steel AISI 304.

FEATURES: This part can be used with round and square pins either.

BOX QUANTITY: 24 pieces.

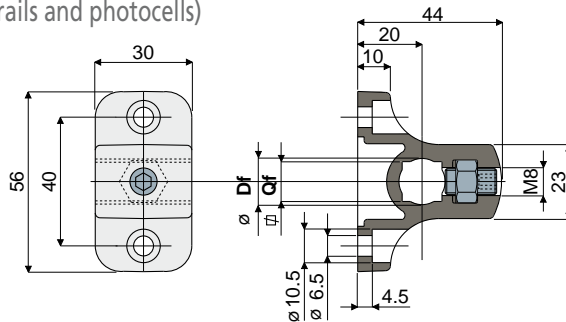
ON REQUEST:

- Clamps: In reinforced polypropylene, other colours.
- Box quantity: According to your request.

Part. 238 "T" clamp (to support rails and photocells)



Bore for pin of		Code
Df round (mm)	Qf square (mm)	
10	8	238 / 80985
12	10	238 / 80986
14	12	238 / 80987



MATERIALS: Clamp made of reinforced polyamide black colour; grub screw and nut made of stainless steel AISI 304.

FEATURES: This part can be used with round and square pins either.

BOX QUANTITY: 24 pieces.

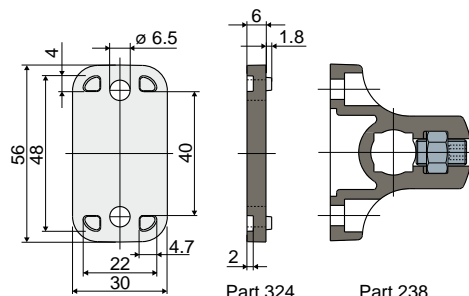
ON REQUEST:

- Clamps: In reinforced polypropylene, other colours.
- Box quantity: According to your request.

Part. 324 Spacer for clamp (for "T" clamp Part. 238)



Code
324 / 82971



MATERIALS: Spacer made of reinforced polyamide black colour.

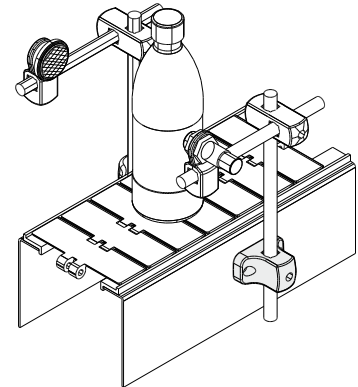
FEATURES: Accessory to be applied to "T" clamp Part.238.

BOX QUANTITY: 24 pieces.

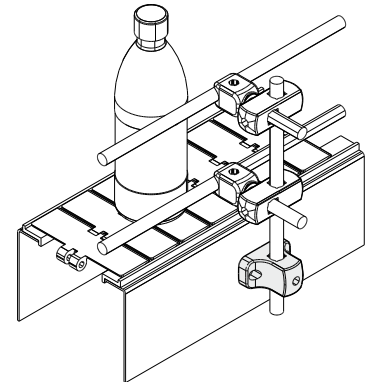
ON REQUEST:

- Spacers: In reinforced polypropylene, other colours.
- Box quantity: According to your request.

Example of applications



To support photocells



To support guide

Example of application

