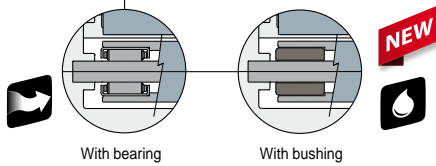
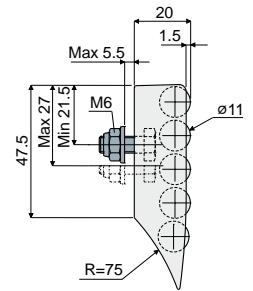
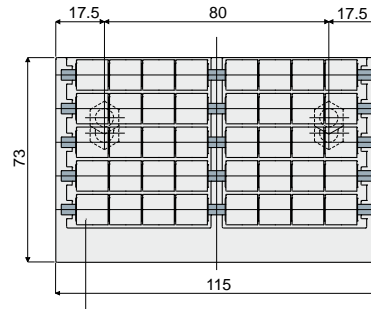
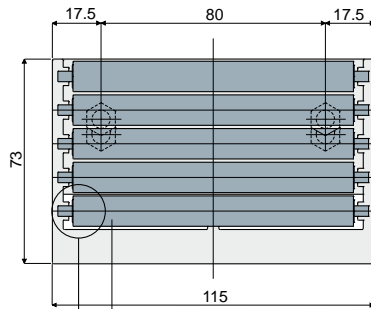


Modular transfer plates

Part. 257

Modular transfer plates with lip (width 115 mm 5 rows of rollers)



Rollers made of stainless steel AISI 304		Rollers made of polyethylene
With bearings	With bushings	
Code	Code	Code
257 / 85004	257 / 85802	257 / 82005

MATERIALS: Modular transfer plate with external module made of grey colour acetal; rollers made of grey colour polyethylene or stainless steel AISI 304; bearings made of chrome steel; bushings made of auto-lubricating polyamide; pins and fixing nuts made of stainless steel AISI 304.

FEATURES: To be assembled at the end of your conveyor to help the products transfer. Low friction coefficient, minimum noise level, extremely cleanable. The versions with rollers made in stainless steel, are available both with bearings made of chrome steel or with bushings made of auto-lubricating polyamide which are suitable for applications in contact with water.

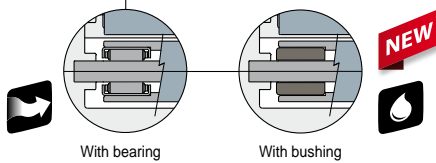
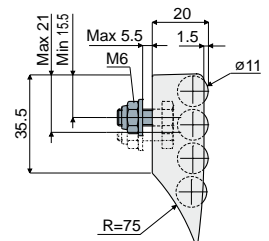
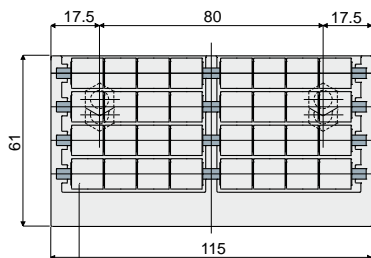
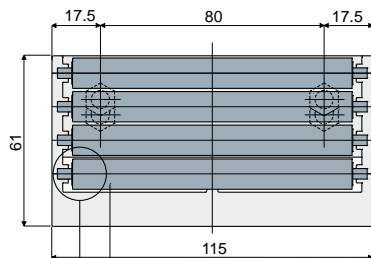
BOX QUANTITY: 8 pieces.

ON REQUEST:

- External module and rollers: Can be produced in other colours.
- Box quantity: According to your request.

Part. 417

Modular transfer plates with lip (width 115 mm 4 rows of rollers)



Rollers made of stainless steel AISI 304		Rollers made of polyethylene
With bearings	With bushings	
Code	Code	Code
417 / 85031	417 / 85803	417 / 84576

MATERIALS: Modular transfer plate with external module made of grey colour acetal; rollers made of grey colour polyethylene or stainless steel AISI 304; bearings made of chrome steel; bushings made of auto-lubricating polyamide; pins and fixing nuts made of stainless steel AISI 304.

FEATURES: To be assembled at the end of your conveyor to help the products transfer. Low friction coefficient, minimum noise level, extremely cleanable. The versions with rollers made in stainless steel, are available both with bearings made of chrome steel or with bushings made of auto-lubricating polyamide which are suitable for applications in contact with water.

BOX QUANTITY: 8 pieces.

ON REQUEST:

- External module and rollers: Can be produced in other colours.
- Box quantity: According to your request.

Suitable for applications which require maximum smoothness.

Suitable for applications in contact with water.