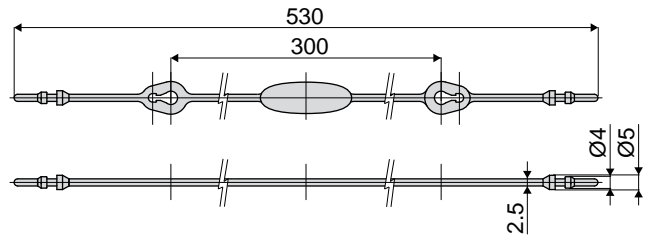


Accessories for the cross adjustment of the side guides

Part. 462 Safety string



Code
462 / 85548

MATERIALS: String made of black polyamide.

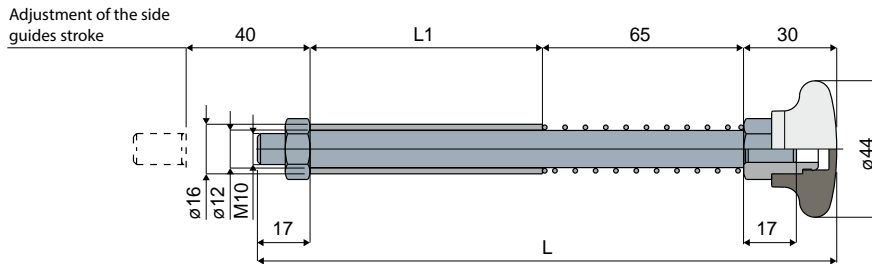
FEATURES: To be used to tie Part.352 together with Part.374.

BOX QUANTITY: 24 pieces.

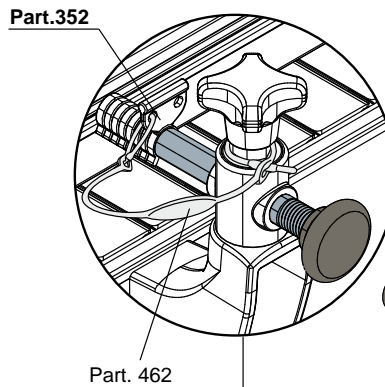
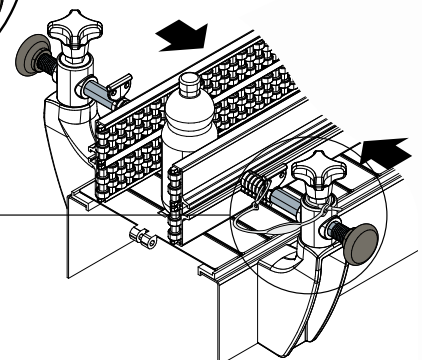
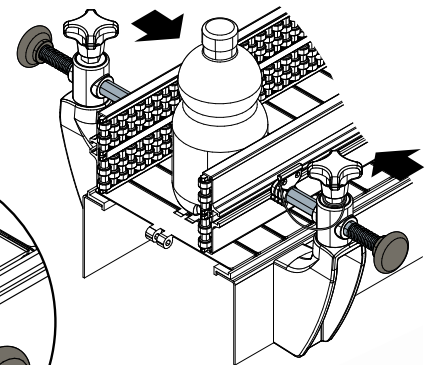
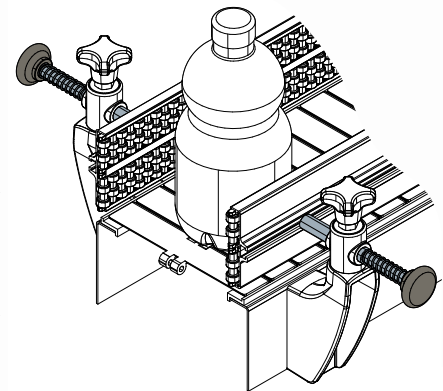
ON REQUEST:

- Strings: In different colours.
- Box quantity: According to your request.

Part. 374 Guide rail pin (for the quick adjustment of the side guides)



Example of application



L	L1	Code
187	75	374 / 83860
237	125	374 / 85977

MATERIALS: Handle made of reinforced polyamide, black colour; pin, nut, spring and dinghy in stainless steel AISI 304; bushing in nickel plated brass.

FEATURES: To be used together with our Part.352, for the quick adjustment of the side guides.

BOX QUANTITY: 24 pieces.

ON REQUEST:

- Pins: In different lengths; with M8 thread instead of M10.
- Box quantity: According to your request.