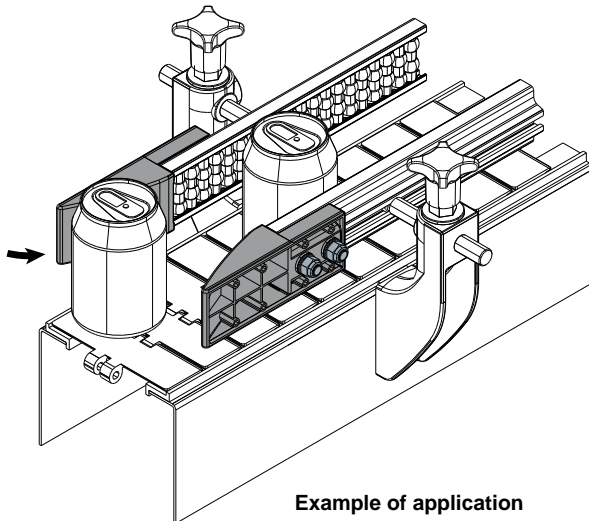
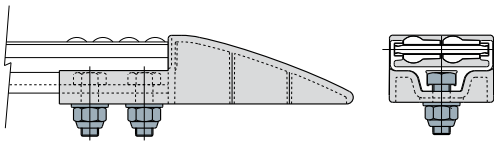


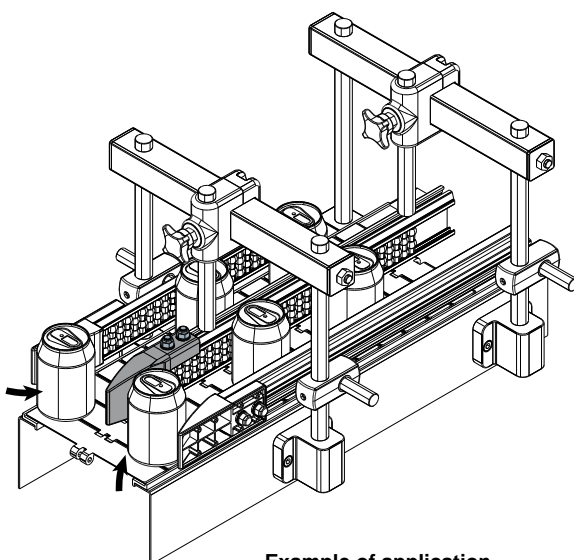
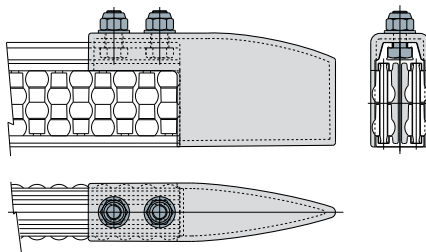
Product guides and accessories

Example of application



Example of application

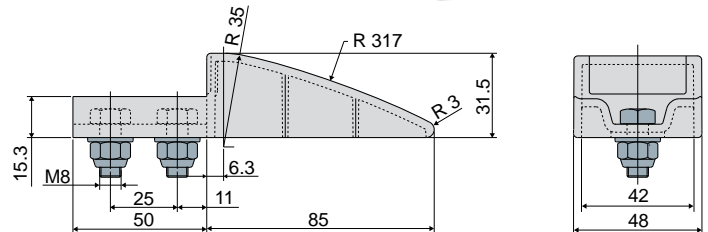
Example of application



Example of application

Separation Block for roller side guide (single type)

Part. **340**



Code	Material
340 / 83357	Polyethylene
340 / 85826	PA + auto-lubricating additive

MATERIALS: Separation block in polyethylene or in polyamide with auto-lubricating additive; bolts and nuts in stainless steel AISI 304.

FEATURES: To be used at the end of the side guides (Part.306, 468, 325, 467, 355, 464), to help the arrival of the products. The version with auto-lubricating additive guarantees maximum smoothness of the product. Supplied complete with bolts and nuts.

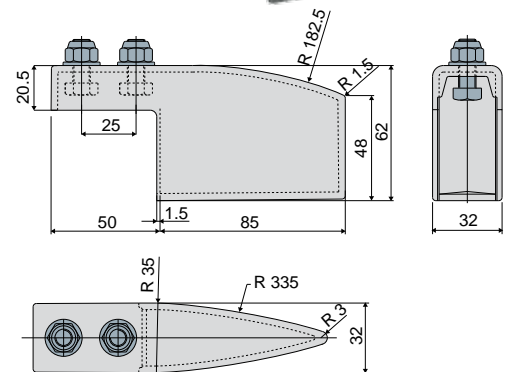
BOX QUANTITY: 8 pieces.

ON REQUEST:

- Separation blocks: In different colours.
- Box quantity: According to your request.

Separation Block for roller central guide (single type)

Part. **341**



Code	Material
341 / 83359	Polyethylene
341 / 85828	PA + auto-lubricating additive

MATERIALS: Separation block in polyethylene or in polyamide with auto-lubricating additive; bolts and nuts in stainless steel AISI 304.

FEATURES: To be used at the end of the central guides (Part.308, 475, 327, 478, 357, 480), to help the arrival of the products. The version with auto-lubricating additive guarantees maximum smoothness of the product. Supplied complete with bolts and nuts.

BOX QUANTITY: 8 pieces.

ON REQUEST:

- Separation blocks: In different colours.
- Box quantity: According to your request.



Suitable for applications which require maximum smoothness.