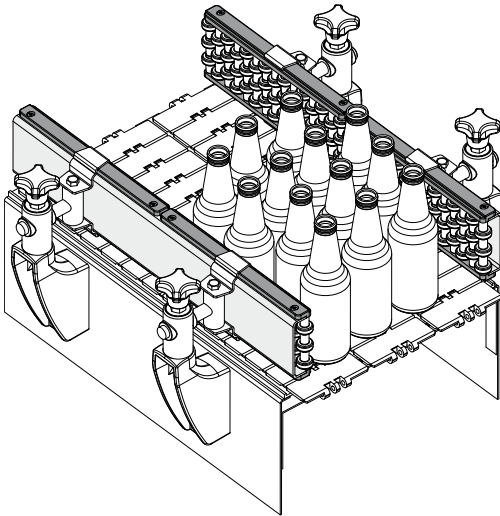


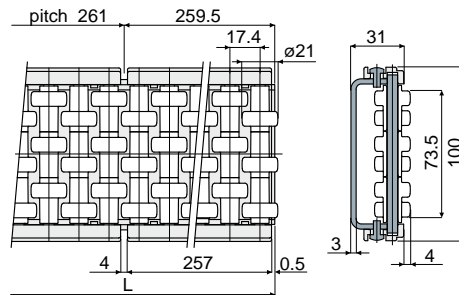
Product guides and accessories

Example of application



Roller side guide with round rollers (triple type, rectilinear)

Part. **501**



L (mm)	Metal profile in zinc plated steel Code	Metal profile in stainless steel AISI 304 Code
1041	501 / 86996	501 / 86997
2085	501 / 86994	501 / 86995
3129	501 / 86992	501 / 86993

MATERIALS: Rollers in acetal white colour; modules in reinforced polyamide black colour; support pins in stainless steel; metal profile in zinc plated steel or stainless steel AISI 304.

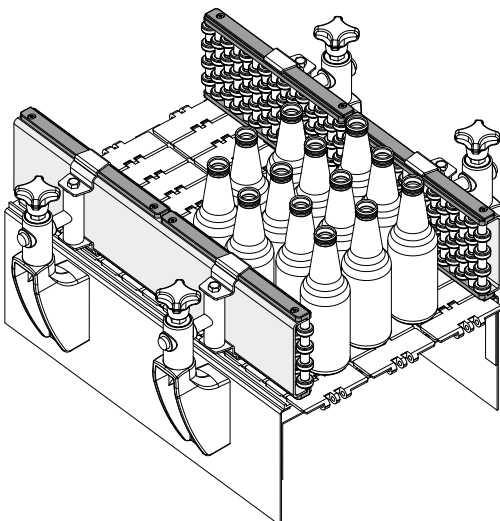
FEATURES: Supplied already assembled. To be used with the guide rail clamp Part.521.

BOX QUANTITY: 2 pieces.

ON REQUEST:

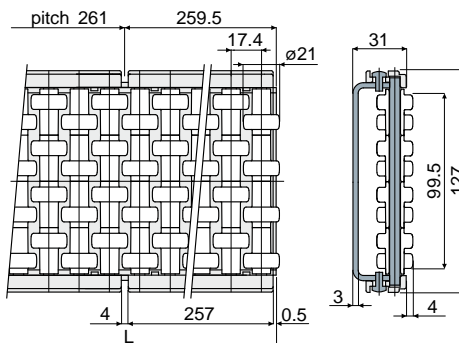
- Module and rollers: can be produced in other colours.

Example of application



Roller side guide with round rollers (quadruple type, rectilinear)

Part. **501**



L (mm)	Metal profile in zinc plated steel Code	Metal profile in stainless steel AISI 304 Code
1041	501 / 87828	501 / 87827
2085	501 / 87830	501 / 87829
3129	501 / 87414	501 / 87415

NEW
NEW

MATERIALS: Rollers in acetal white colour; modules in reinforced polyamide black colour; support pins in stainless steel; metal profile in zinc plated steel or stainless steel AISI 304.

FEATURES: Supplied already assembled. To be used with the guide rail clamp Part.521.

BOX QUANTITY: 2 pieces.

ON REQUEST:

- Module and rollers: can be produced in other colours.