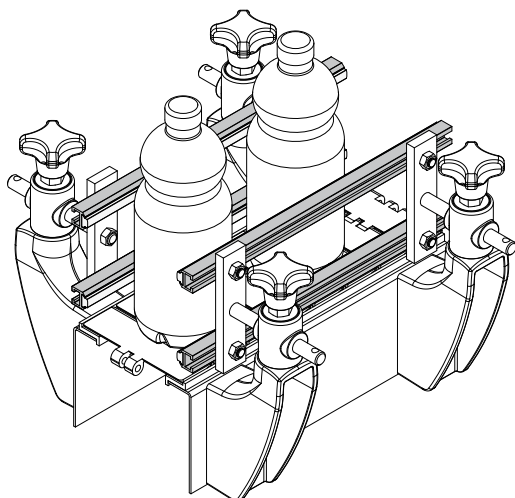


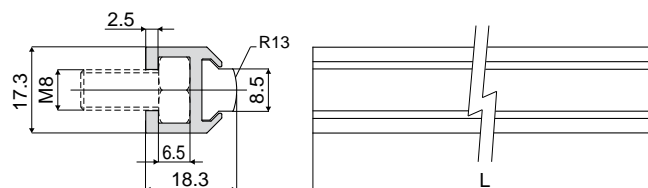
# Product guides and accessories

Example of application



## Guide rail (semicircular)

Part. **438**



Code	L
438 / 85237	3 Mt.
438 / 85238	6 Mt.

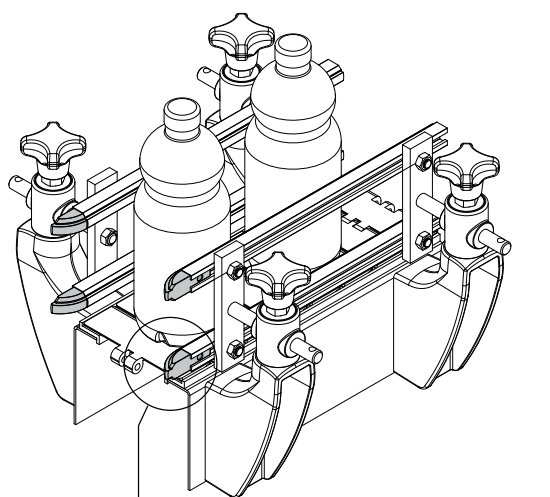
**MATERIALS:** Guide profile in natural polyethylene, metal profile in anodized aluminium.  
**FEATURES:** Min. curvature radius: 110 mm. Can be used with Part.318, 437 and 595.

**BOX QUANTITY:**

- 3 Mt. lengths version: This item is sold in Mt. - Min. 6 Mt. (2 lengths);
- 6 Mt. lengths version: This item is sold in Mt. - Min. 12 Mt. (2 lengths).

**ON REQUEST:**

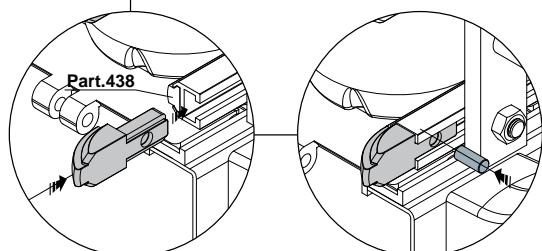
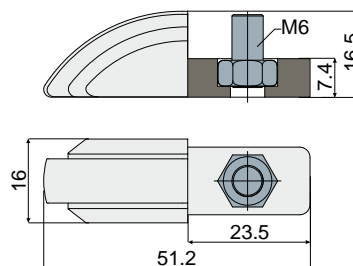
- Box quantity: According to your request.



## Shoe for containment profile (for Part.438)

Part. **595**

**NEW**



Example of application

Code
595 / 91169

**MATERIALS:** Shoe in grey polyamide; nut in zinc-plated steel; grub screw in phosphated steel.

**FEATURES:** For application to the ends of Part. 438 profiles.

**BOX QUANTITY:** 24 pieces.

**ON REQUEST:**

- Box quantity: According to your request.