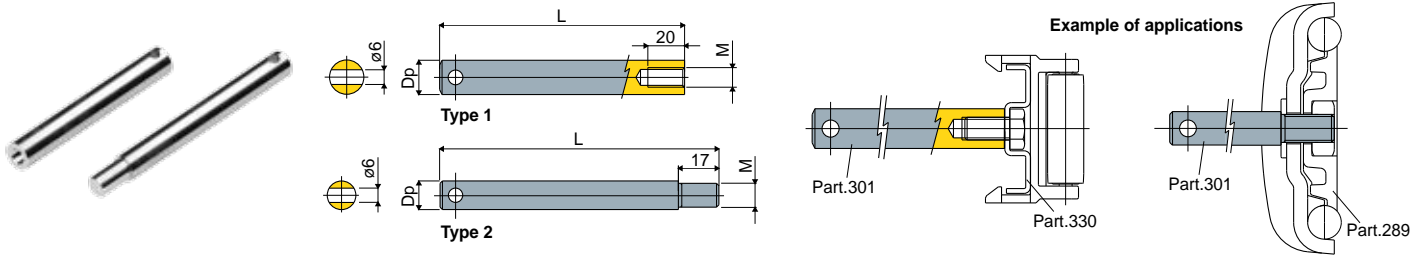


Guide rail clamps

Part. 301 Threaded pin



Dp (mm)	L (mm)	M (mm)	Type 1 Code
12	100	M8	301 / 86707
14	100	M8	301 / 82751
16	100	M8	301 / 86708

Dp (mm)	L (mm)	M (mm)	Type 2 Code
12	117	M10	301 / 83304
12	150	M8	301 / 85381
12	167	M10	301 / 84869
12	217	M10	301 / 83871
14	117	M10	301 / 83305
16	117	M10	301 / 83306
16	121	M10	301 / 84109

MATERIALS: Pin made of stainless steel AISI 304.

FEATURES:

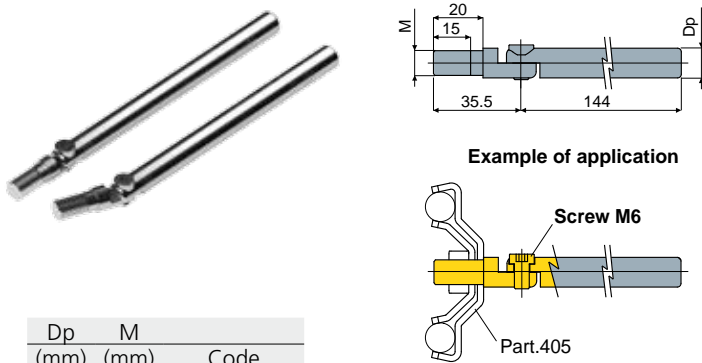
- Type 1: Can be mounted both on guide rail clamps or on side guides;
- Type 2: Used for the mounting of Part. 289, 229, 230, 290, 204, 205.

BOX QUANTITY: 24 pieces.

ON REQUEST:

- Pins: In various lengths.
- Box quantity: According to your request.

Part. 460 Threaded pin for guide rail clamp



Dp (mm)	M (mm)	Code
12	M10	460 / 85470
14	M10	460 / 85566

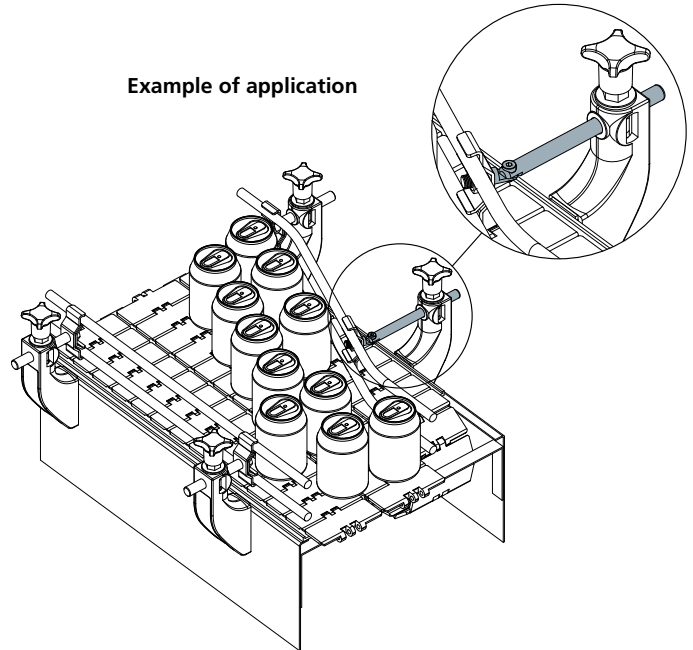
MATERIALS: Pin made of stainless steel AISI 304.

FEATURES: Supplied complete with bolts and nuts.

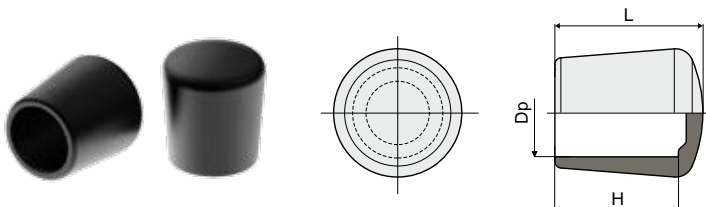
BOX QUANTITY: 24 pieces.

ON REQUEST:

- Pins: In various lengths.
- Box quantity: According to your request.



Part. 398 Cap for pins



Dp (mm)	H (mm)	L (mm)	Code
12	17	21	398 / 84258
14	18	23	398 / 84259
16	20	25	398 / 85592

MATERIALS: Cap made of thermoplastic rubber.

FEATURES: To be applied at the ends of the pins.

BOX QUANTITY: 24 pieces.

ON REQUEST:

- Box quantity: According to your request.