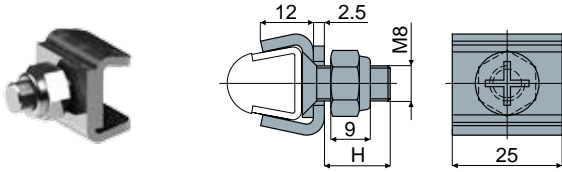


Guide rail clamps

Part. 412 Guide rail clamp

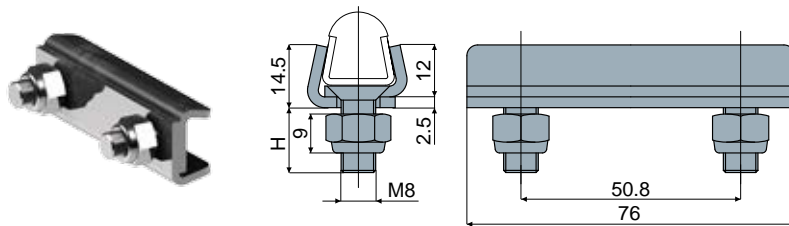


H	Code
15	412 / 84487
20	412 / 87351

MATERIALS: Clamp, bolts and nuts made of stainless steel AISI 304.
FEATURES: With this item it is possible to use thickness 1,5 and 2 mm guides:
 Part.353, 354, 377, 418, 419, 420, 446, 469, 485, 514, 551.
BOX QUANTITY: 24 pieces.
ON REQUEST:

- Assembly of: Bolts and nuts.
- Box quantity: According to your request.

Part. 413 Guide rail clamp (for connection)

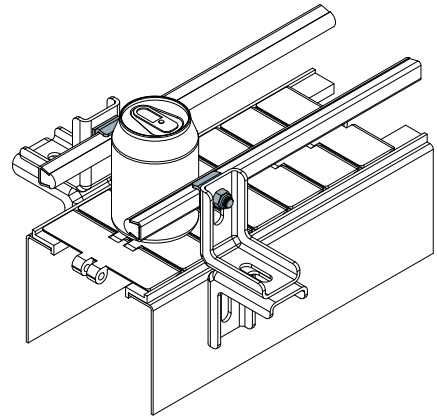


H	Code
15	413 / 84488
20	413 / 87361

MATERIALS: Clamp, bolts and nuts made of stainless steel AISI 304.
FEATURES: With this item it is possible to use thickness 1,5 and 2 mm guides:
 Part.353, 354, 377, 418, 419, 420, 446, 469, 485, 514, 551.
BOX QUANTITY: 24 pieces.
ON REQUEST:

- Assembly of: Bolts and nuts.
- Box quantity: According to your request.

Example of application



Example of application

