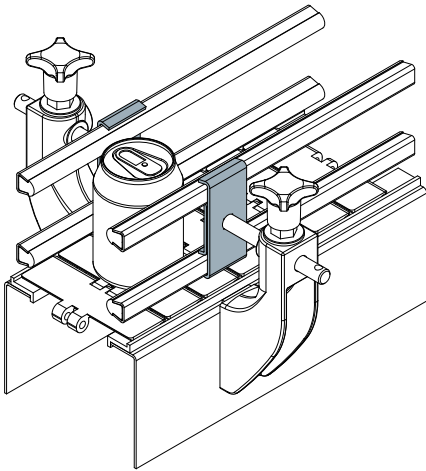
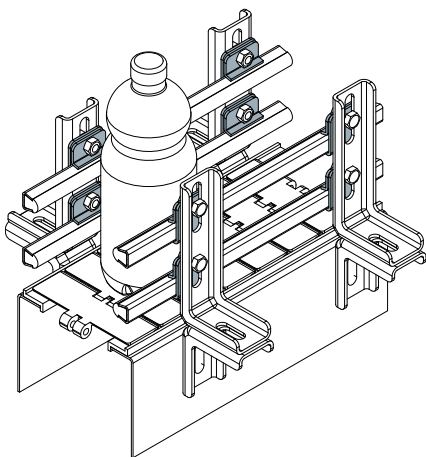


# Guide rail clamps

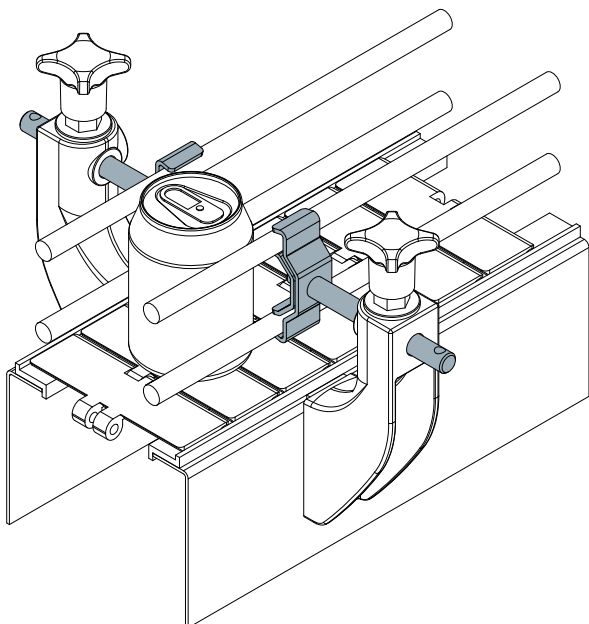
Example of application



Example of application

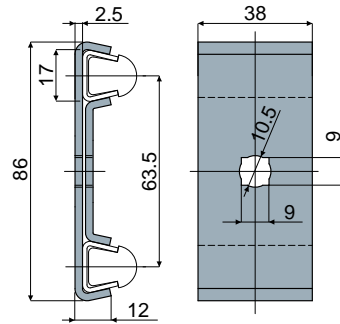


Example of application



## Guide rail clamp (double)

Part. **410**



Code  
410 / 84485

**MATERIALS:** Clamp made of stainless steel AISI 304.

**FEATURES:** With this item it is possible to use thickness 1,5 and 2 mm guides: Part.353, 354, 377, 418, 419, 420, 446, 469, 485, 514, 551.

**BOX QUANTITY:** 24 pieces.

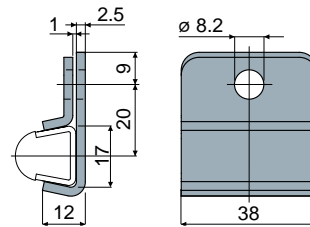
**ON REQUEST:**

- Box quantity: According to your request.



## Guide rail clamp

Part. **411**



Code  
411 / 84486

**MATERIALS:** Clamp made of stainless steel AISI 304.

**FEATURES:** With this item it is possible to use thickness 1,5 and 2 mm guides: Part.353, 354, 377, 418, 419, 420, 446, 469, 485, 514, 551.

**BOX QUANTITY:** 24 pieces.

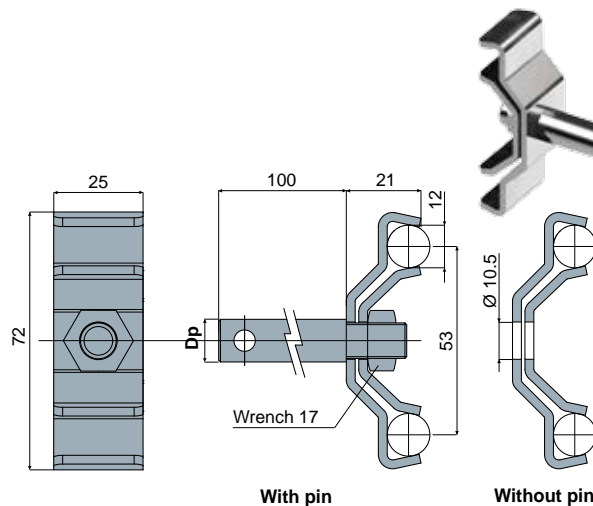
**ON REQUEST:**

- Box quantity: According to your request.



## Guide rail clamp (for round rails)

Part. **405**



Dp Pin diameter (mm)	With pin Code	Without pin Code
12	405 / 84327	
14	405 / 84442	405 / 85101
16	405 / 84443	

**MATERIALS:** Clamp, mounting plate, nut and threaded pin made of stainless steel AISI 304.

**FEATURES:** Supplied with or without pin.

**BOX QUANTITY:** 24 pieces.

**ON REQUEST:**

- Assembly of: Pins, nuts.
- Box quantity: According to your request.