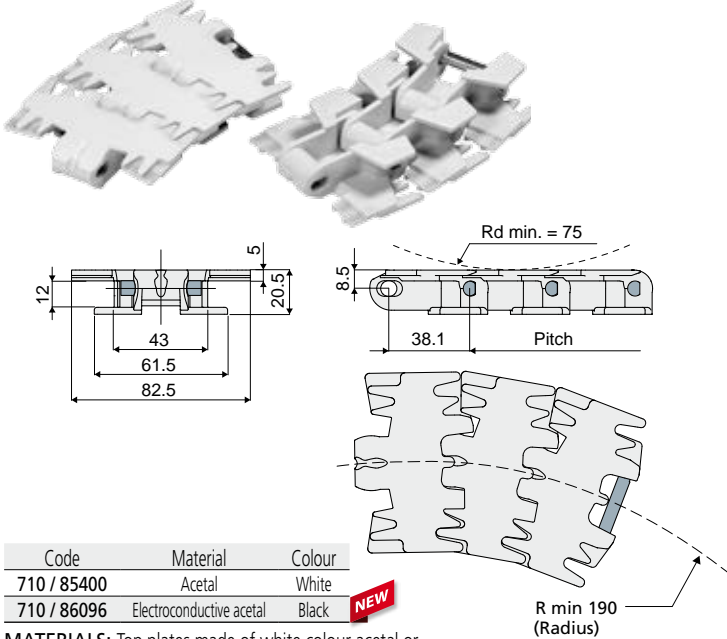


Chains and accessories

Part. 710

Sideflex chain
(879 TAB Safety Finger)



Code	Material	Colour
710 / 85400	Acetal	White
710 / 86096	Electroconductive acetal	Black

MATERIALS: Top plates made of white colour acetal or black colour electroconductive acetal; pins made of stainless steel AISI 304.

FEATURES: To be used with wheels:

Part.310, 457, 456, 455, 454, 458, 459. Max. working load: 2100 N.

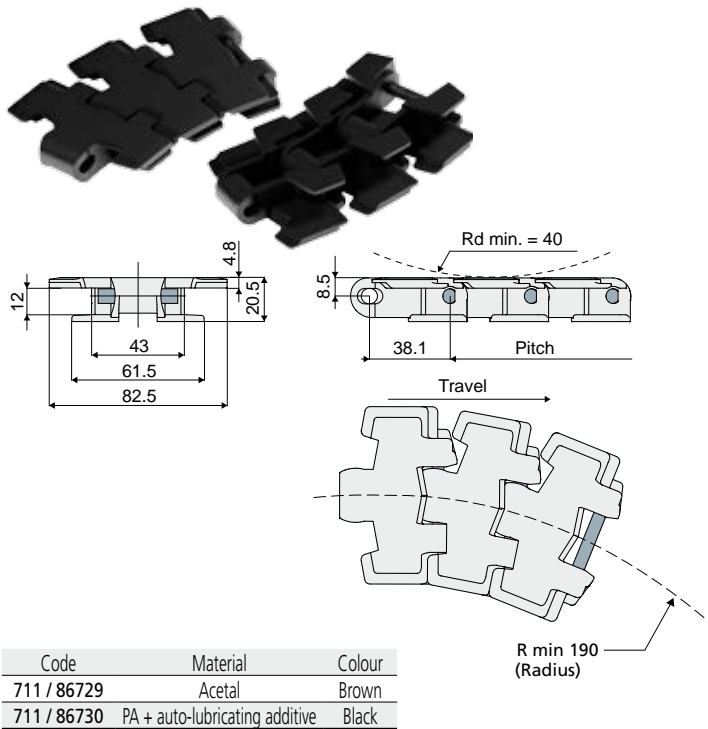
BOX QUANTITY: 3,05 Mt.

ON REQUEST:

- Top plates: In different materials; other colours.
- Box quantity: According to your request.

Part. 711

Sideflex chain
(879 TAB BO)



Code	Material	Colour
711 / 86729	Acetal	Brown
711 / 86730	PA + auto-lubricating additive	Black

MATERIALS: Top plates in brown colour acetal or in black colour polyamide with auto-lubricating additive; pins in stainless steel AISI 304.

FEATURES: To be used with wheels:

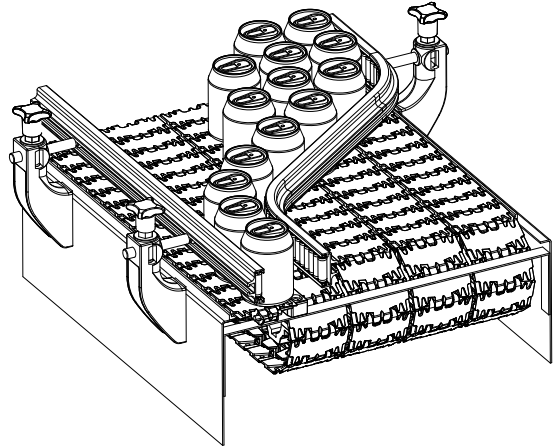
Part.310, 457, 456, 455, 454, 458, 459. Max. working load: 2100 N.

BOX QUANTITY: 3,05 Mt.

ON REQUEST:

- Top plates: In different materials; other colours.
- Box quantity: According to your request.

Example of application



Example of application

