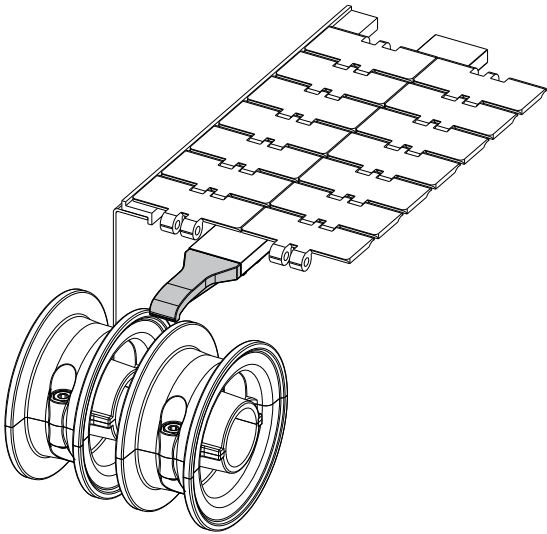
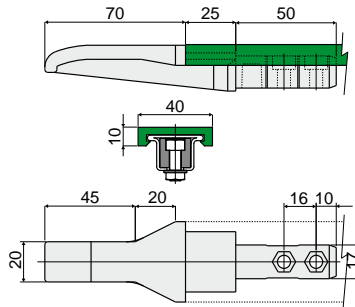


Chain guides and accessories

Example of application



Chain inlet guide shoe Part. 389 (central)



For stainless steel profiles

Code
389 / 84165

For aluminium profiles

Code
389 / 89049

MATERIALS: Shoe in black polyamide.

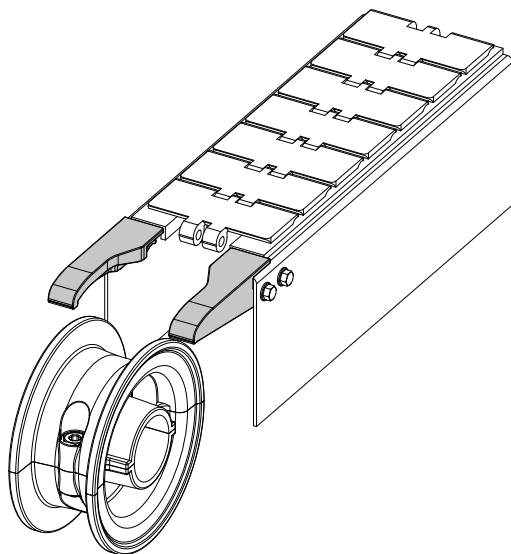
FEATURES: To be assembled near to the idler wheels to drive the chain on the transport guides: Part.381, 384, 513.

BOX QUANTITY: 24 pieces.

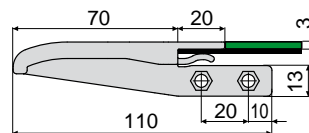
ON REQUEST:

- Shoes: In different colours.
- Box quantity: According to your request.

Example of application

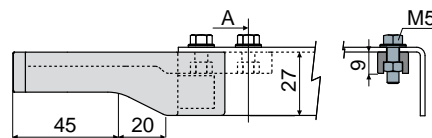


Chain inlet guide shoe Part. 519

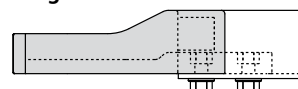


Left Version

Section A



Right Version



Version	Code
Right	519 / 87254
Left	519 / 87255
Right + Left	519 / 87256

MATERIALS: Shoe in black polyamide.

FEATURES: To be assembled near to the idler wheels to drive the chain on the transport guides.

BOX QUANTITY: 24 pieces.

ON REQUEST:

- Shoes: In different colours.
- Box quantity: According to your request.