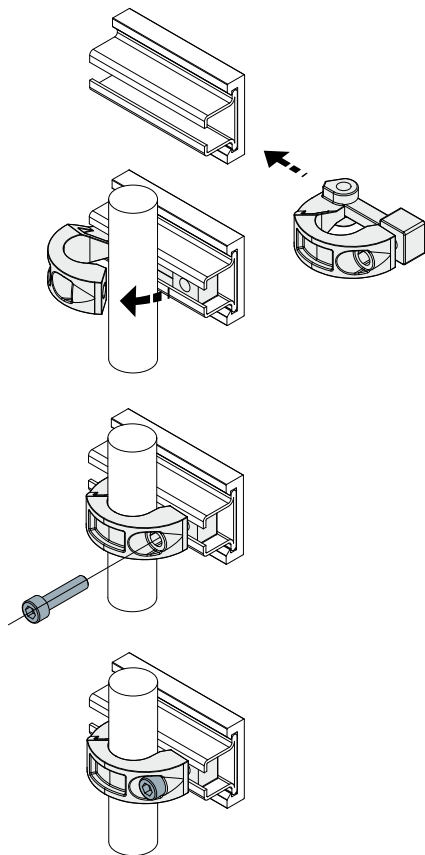
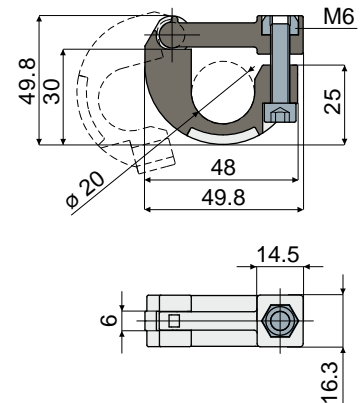


# Chain guides and accessories

Example of application



## Hinge joint Part. 461



Code  
461 / 85473

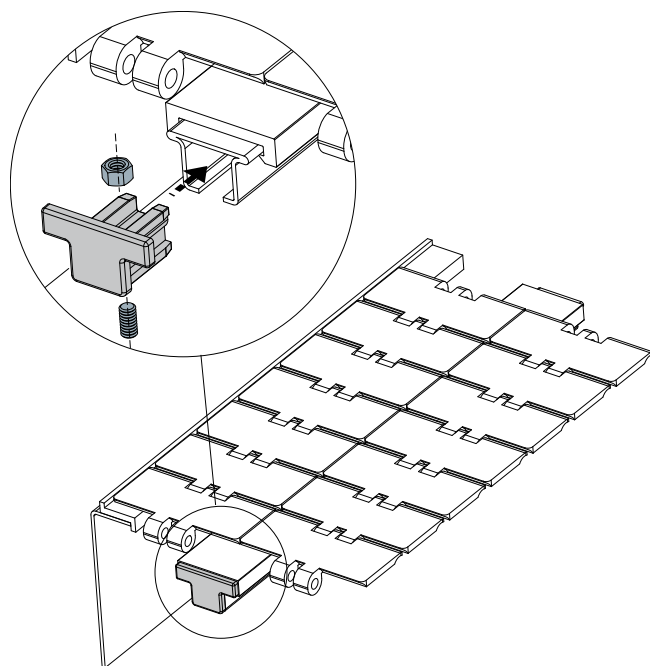
**MATERIALS:** Joint in reinforced polyamide black colour; bolts and nuts in stainless steel AISI 304.

**FEATURES:** To be used to join the guides Part.381, 384, 513 (excluding versions with aluminium metal profile); supplied complete with bolts and nuts.

**BOX QUANTITY:** 8 pieces.

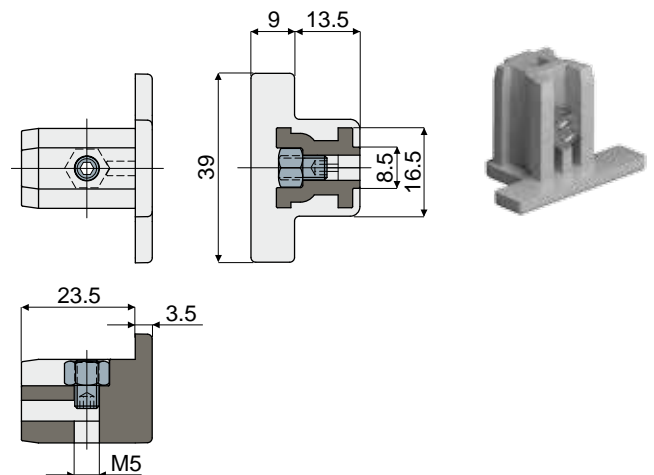
**ON REQUEST:**

- Joints: In other colours.
- Box quantity: According to your request.



Example of application

## Closing cap Part. 492 (for chain guide profile Part.381)



Code  
492 / 87013

**MATERIALS:** Cap in reinforced polyamide grey colour; nut and grub screw in stainless steel AISI 304.

**FEATURES:** To be used as a closure cap at the extremities of the chain guide profiles Part.381, 384, 513 (excluding versions with aluminium metal profile).

**BOX QUANTITY:** 24 pieces.

**ON REQUEST:**

- **Assembling of:** Nuts and grub screws.
- **Box quantity:** According to your request.