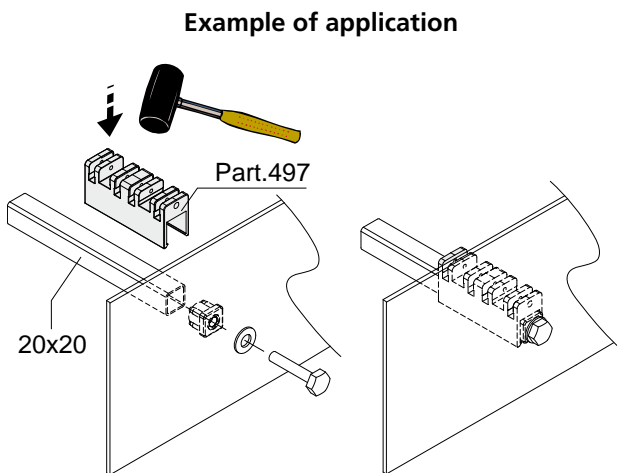
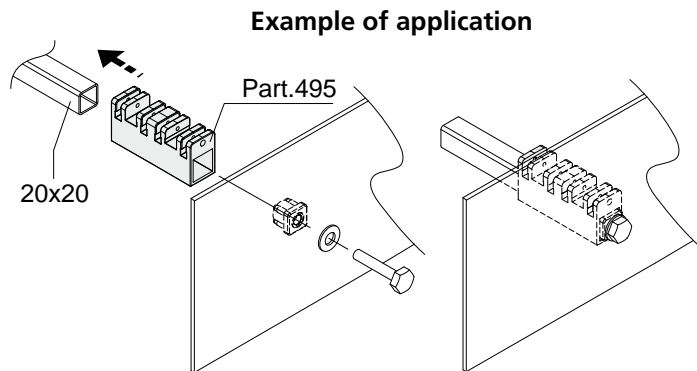
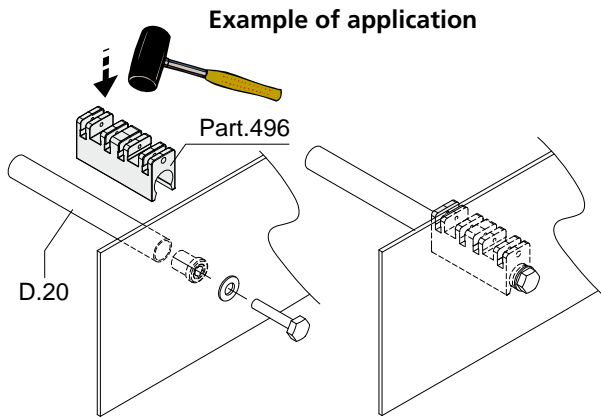
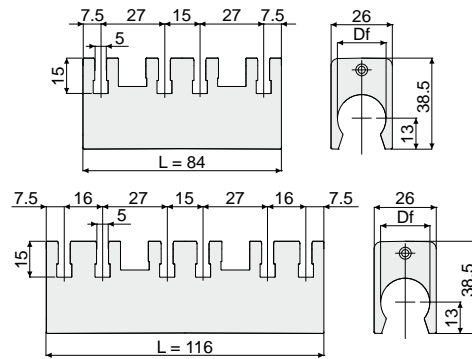


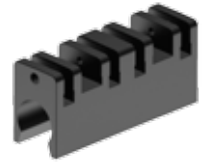
Chain guides and accessories



Spacer for chain return (open version, for round tubes)



Part. **496**

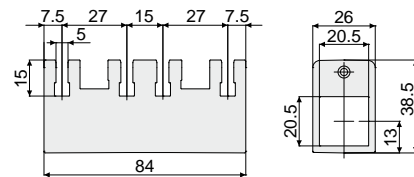


Df Bore for round tubes of (mm)	L	Code
20	84	496 / 87017
	116	496 / 87018

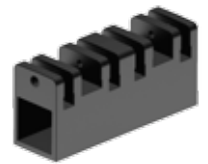
MATERIALS: Spacer in polyamide black colour.
FEATURES: To be used together with the sliding profile Part.499.
BOX QUANTITY: 24 pieces.
ON REQUEST:

- Spacers: In different colours.
- Box quantity: According to your request.

Spacer for chain return (closed version, for square tubes)



Part. **495**

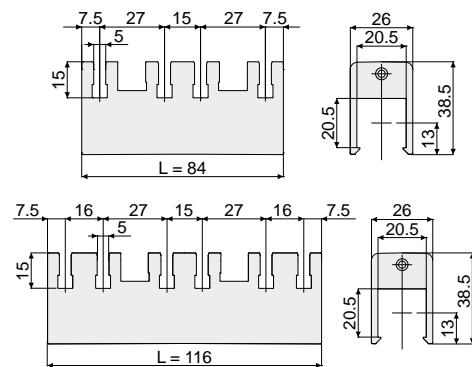


Code
495 / 87016

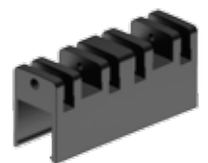
MATERIALS: Spacer in polyamide black colour.
FEATURES: To be used together with the sliding profile Part.499.
BOX QUANTITY: 24 pieces.
ON REQUEST:

- Spacers: In different colours.
- Box quantity: According to your request.

Spacer for chain return (open version, for square tubes)



Part. **497**



Df Bore for square tubes of (mm)	L	Code
20x20	84	497 / 87019
	116	497 / 87020

MATERIALS: Spacer in polyamide black colour.
FEATURES: To be used together with the sliding profile Part.499.
BOX QUANTITY: 24 pieces.
ON REQUEST:

- Spacers: In different colours.
- Box quantity: According to your request.