



Take-up bearing supports (Solid)

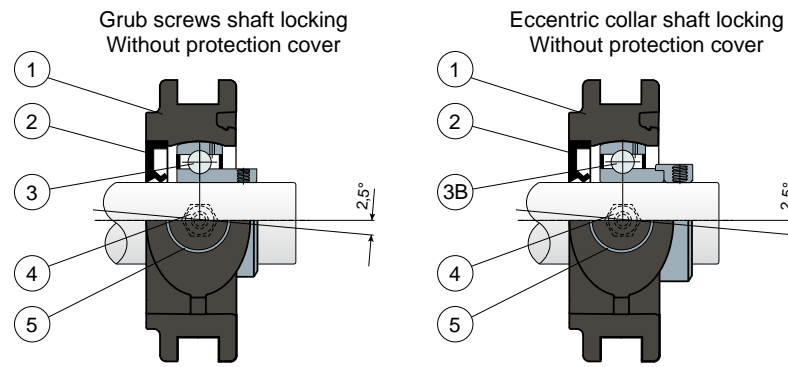
Serie **UCT/CX**



S Self-aligning bearings with Solid body: completely closed surface to guarantee the max hygiene.

L Long Life bearings: life long lubrication.

NEW



- 1) Housing made out of black, white or blue Ral 5005 colour polyamide reinforced with glass fibers.
- 2) Back gasket made out of NBR rubber for turning shaft seal.
- 3) Chrome steel or stainless steel bearing AISI 440.
- 3B) Chrome steel bearing.
- 4) Greaser, straight type with 1/8 gas thread, made out of nickel-plated brass (absent in the versions with Long Life bearing).
- 5) Bushing made of nickel plated brass.

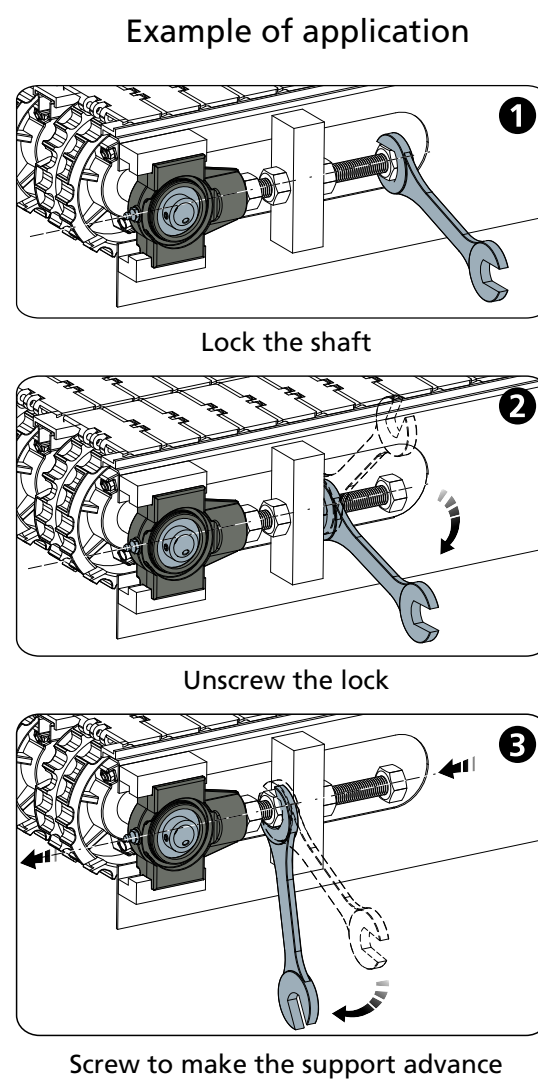
NOTE: The protection cover can be ordered separately as an accessory; in the Long Life version, the greaser is absent and the lubrication channel is protected by a rubber cap.

Support dimensions respect ISO 3228 set of rules.
Maximum shaft alignment error 2,5°.
For further information please contact our technical office or sales department.

MATERIALS: Housing is made out of PA + glass fiber in black, white or blue Ral 5005 colours; bearing with grub screws shaft locking in chrome steel or stainless steel; bearing with eccentric collar shaft locking in chrome steel; greaser and bushings made out of nickel plated brass; gaskets made out of NBR rubber; cover made out of polypropylene grey Ral 7042, blue Ral 5015, orange Ral 2004 or red Ral 3000 colour.

FEATURES: The protection cover can be ordered separately as an accessory. Assembly with not shouldered shafts. Maximum shaft alignment error 2,5°.
BOX QUANTITY: 8 pieces.

ON REQUEST: Versions with body in polypropylene + glass fiber and anti-bacterial additive; protection covers in different colours and with customized brand; box quantity according to your request; Viton gaskets.

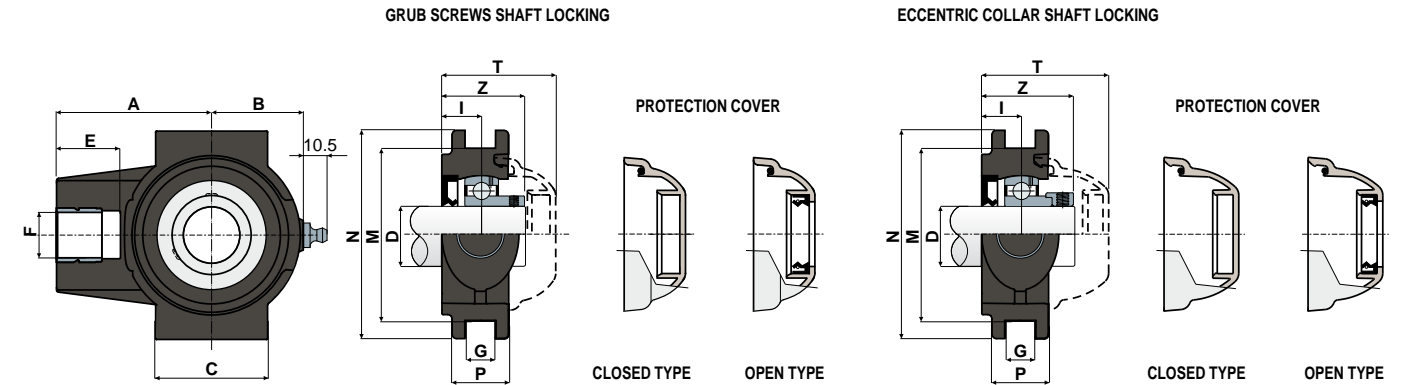


Take-up bearing supports (Solid)

Technical data



Serie **UCT/CX**



GRUB SCREWS SHAFT LOCKING

D	SERIE	CHROME STEEL BEARING														COVER CODES																			
		Support CODES						DIMENSIONS (mm)								Bearing load (N)		Bearing support load		GREY RAL 7042				BLUE RAL 5015				ORANGE RAL 2004				RED RAL 3000			
		Standard bearing		Long Life bearing				A	B	C	E	F	G	I	M	N	P	Z	T	C	CO	(N)	Closed	Open	Closed	Open	Closed	Open	Closed	Open	Closed	Open			
20	UCT 204 CX	85680	85682	89270	90314	90316	90319	63,5	35	50	28	M16	13,5	17	76,2	92	25	35	50	12800	6600	16000	80254	80255	87259	83901	82305	82306	87540	87541					
25	UCT 205 CX	86111	86112	89271	88136	90317	90320	68,5	40,5	50	28	M20	13,5	17	76,2	92	25	36,5	50,2	14000	7800	24000	80075	80076	85384	85385	82276	82277	87542	87543					
30	UCT 206 CX	86136	86138	89272	90315	90318	90321	77	48	57	28	M24	13,5	18,5	89	104	28	40,5	55,7	19500	11300	27000	80011	80053	84100	80354	82278	82279	87531	87530					

ECCENTRIC COLLAR SHAFT LOCKING

D	SERIE	CHROME STEEL BEARING														COVER CODES								
		Support CODES						DIMENSIONS (mm)								Bearing load (N)		Bearing support load		GREY RAL 7042				
		Standard bearing		Long Life bearing				A	B	C	E	F	G	I	M	N	P	Z	T	C	CO	(N)	Closed	Open
20	UCT 204 CX	88615	88618	89273	90322	90325	90328	63,5	35	50	28	M16	13,5	17	76,2	92	25	40,5	56,7	12800	6600	16000	88371	88372
25	UCT 205 CX	88616	88619	89274	90323	90326	90329	68,5	40,5	50	28	M20	13,5	17	76,2	92	25	40,5	56	14000	7800	24000	88373	88374
30	UCT 206 CX	88617	88620	89275	90324	90327	90330	77	48	57	28	M24	13,5	18,5	89	104	28	45,2	62	19500	11300	27000	88375	88376

GRUB SCREWS SHAFT LOCKING

D	SERIE	STAINLESS STEEL BEARING AISI 440														COVER CODES																			
		Support CODES						DIMENSIONS (mm)								Bearing load (N)		Bearing support load		GREY RAL 7042				BLUE RAL 5015				ORANGE RAL 2004				RED RAL 3000			
		Standard bearing		Long Life bearing				A	B	C	E	F	G	I	M	N	P	Z	T	C	CO	(N)	Closed	Open	Closed	Open	Closed	Open	Closed	Open					
20	UCT 204 CX	85681	85683	89276	90331	90334	90337	63,5	35	50	28	M16	13,5	17	76,2	92	25	35	50	8300	6600	16000	80254	80255	87259	83901	82305	82306	87540	87541					
25	UCT 205 CX	86113	86114	89277	90332	90335	90338	68,5	40,5	50	28	M20	13,5	17	76,2	92	25	36,5	50,2	9150	7800	24000	80075	80076	85384	85385	82276	82277	87542	87543					
30	UCT 206 CX	86140	86142	89278	90333	90336	90339	77	48	57	28	M24	13,5	18,5	89	104	28	40,5	55,7	12500	11200	27000	80011	80053	84100	80354	82278	82279	87531	87530					