




Round flanged bearing supports

Serie **UCFC/C**

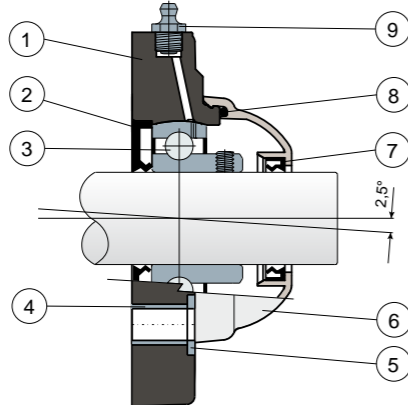


-   On request covers in polypropylene blue Ral 5015 colour.
-   On request covers in polypropylene orange Ral 2004 colour.
-   On request covers in polypropylene red Ral 3000 colour.

 Long Life bearings: life long lubrication.

NEW

Full protection of bearing



- 1) Housing made out of black or white colour polyamide reinforced with glass fibers.
- 2) Back gasket made out of NBR rubber for turning shaft seal.
- 3) Chrome steel or stainless steel bearing AISI 440.
- 4) Spacer for fixing reinforcement made out of stainless steel AISI 304.
- 5) UNI 6592 support washer made out of stainless steel AISI 304.
- 6) Protection cover made out of polypropylene (grey colour Ral 7042).
- 7) Front gasket made out of NBR rubber for turning shaft seal.
- 8) OR gasket made out of NBR rubber.
- 9) Greaser, straight type with 1/8 gas thread, made out of nickel-plated brass (absent in the versions with Long Life bearing).

N.B.: In the Long Life version, the greaser is absent and the lubrication channel is protected by a rubber cap.

Support dimensions respect ISO 3228 set of rules.

Maximum shaft alignment error 2,5°.

For further information please contact our technical office or sales department.

MATERIALS: Housing is made out of PA + glass fiber in black or white colours; chrome steel or stainless steel bearing; greaser made out of nickel plated brass; reinforcement bushings and washers made out of stainless steel AISI 304; gaskets made out of NBR rubber; cover made out of grey RAL 7042 colour polypropylene.

FEATURES: Full protection of bearing against external agents. Assembly with not shouldered shafts. Maximum shaft alignment error 2,5°.

BOX QUANTITY: 8 pieces.

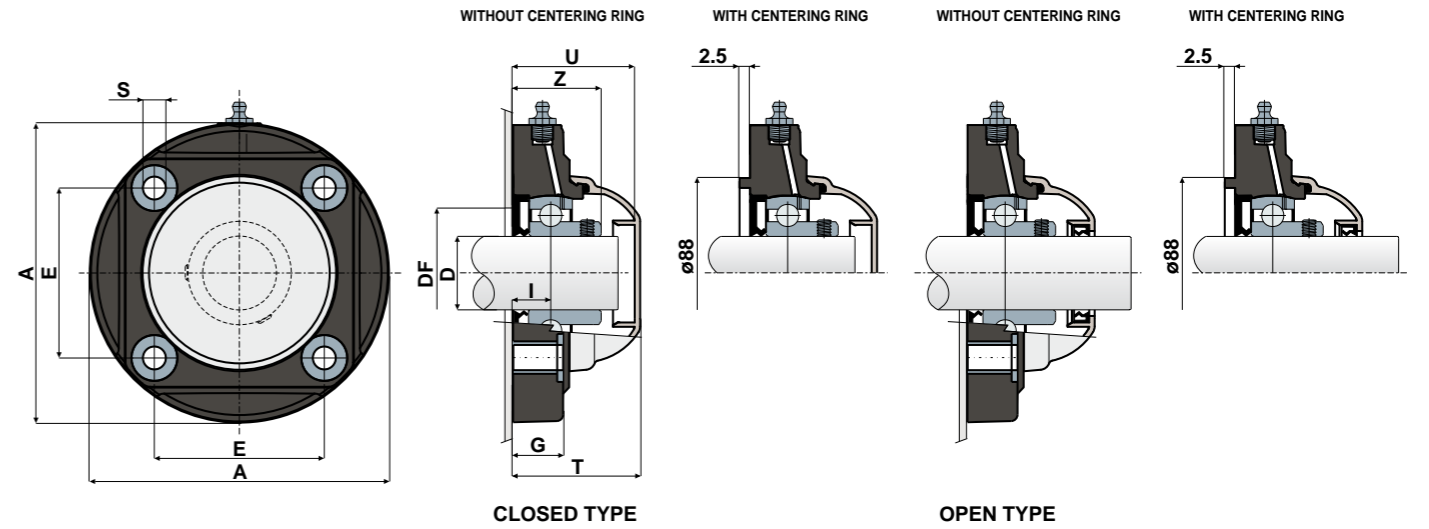
ON REQUEST: Versions with body in polypropylene + glass fiber and antibacterial additive; supports with eccentric collar shaft locking with chrome steel bearing; protection covers in different colours and with customized brand; box quantity according to your request; Viton gaskets.



Round flanged bearing supports

Technical data

Serie **UCFC/C**



FLANGE WITHOUT CENTERING RING

| | | CHROME STEEL BEARING | | | | | | | | | | | | | | | | Bearing load (N) | | Bearing support load | | |
|----|------------|----------------------|-------|--------|-------|-------------------|-------|--------|-------|-----------------|-----|------|----|----|------|----|----|------------------|----|----------------------|-------|-------|
| D | SERIE | CODES | | | | | | | | DIMENSIONS (mm) | | | | | | | | C | CO | (N) | | |
| | | Standard bearing | | | | Long Life bearing | | | | E | A | S | G | I | Z | U | T | | | | DF | |
| | | Closed | Open | Closed | Open | Closed | Open | Closed | Open | | | | | | | | | | | | Max | Min |
| 35 | UCFC 207 C | 85647 | 85649 | 85655 | 85657 | 90367 | 90368 | 90369 | 90370 | 77,8 | 137 | 10,5 | 26 | 17 | 40,6 | 56 | 58 | 70 | 55 | 25500 | 15300 | 19550 |

| | | STAINLESS STEEL BEARING AISI 440 | | | | | | | | | | | | | | | | Bearing load (N) | | Bearing support load | | |
|----|------------|----------------------------------|-------|--------|-------|-------------------|-------|--------|-------|-----------------|-----|------|----|----|------|----|----|------------------|----|----------------------|-------|-------|
| D | SERIE | CODES | | | | | | | | DIMENSIONS (mm) | | | | | | | | C | CO | (N) | | |
| | | Standard bearing | | | | Long Life bearing | | | | E | A | S | G | I | Z | U | T | | | | DF | |
| | | Closed | Open | Closed | Open | Closed | Open | Closed | Open | | | | | | | | | | | | Max | Min |
| 35 | UCFC 207 C | 85651 | 85653 | 85659 | 85661 | 90371 | 90372 | 90373 | 90374 | 77,8 | 137 | 10,5 | 26 | 17 | 40,6 | 56 | 58 | 70 | 55 | 16600 | 15300 | 19550 |

FLANGE WITH CENTERING RING

| | | CHROME STEEL BEARING | | | | | | | | | | | | | | | | Bearing load (N) | | Bearing support load | | |
|----|------------|----------------------|-------|--------|-------|-------------------|-------|--------|-------|-----------------|-----|------|----|----|------|----|----|------------------|----|----------------------|-------|-------|
| D | SERIE | CODES | | | | | | | | DIMENSIONS (mm) | | | | | | | | C | CO | (N) | | |
| | | Standard bearing | | | | Long Life bearing | | | | E | A | S | G | I | Z | U | T | | | | DF | |
| | | Closed | Open | Closed | Open | Closed | Open | Closed | Open | | | | | | | | | | | | Max | Min |
| 35 | UCFC 207 C | 86029 | 86025 | 86031 | 86027 | 90375 | 90376 | 90377 | 90378 | 77,8 | 137 | 10,5 | 26 | 17 | 40,6 | 56 | 58 | - | - | 25500 | 15300 | 19550 |

| | | STAINLESS STEEL BEARING AISI 440 | | | | | | | | | | | | | | | | Bearing load (N) | | Bearing support load | | |
|----|------------|----------------------------------|-------|--------|-------|-------------------|-------|--------|-------|-----------------|-----|------|----|----|------|----|----|------------------|----|----------------------|-------|-------|
| D | SERIE | CODES | | | | | | | | DIMENSIONS (mm) | | | | | | | | C | CO | (N) | | |
| | | Standard bearing | | | | Long Life bearing | | | | E | A | S | G | I | Z | U | T | | | | DF | |
| | | Closed | Open | Closed | Open | Closed | Open | Closed | Open | | | | | | | | | | | | Max | Min |
| 35 | UCFC 207 C | 86030 | 86026 | 86032 | 86028 | 90379 | 90380 | 90381 | 90382 | 77,8 | 137 | 10,5 | 26 | 17 | 40,6 | 56 | 58 | - | - | 16600 | 15300 | 19550 |