



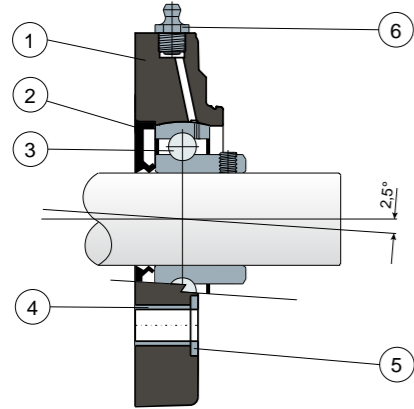
# Round flanged bearing supports

Serie **UCFC/CX**

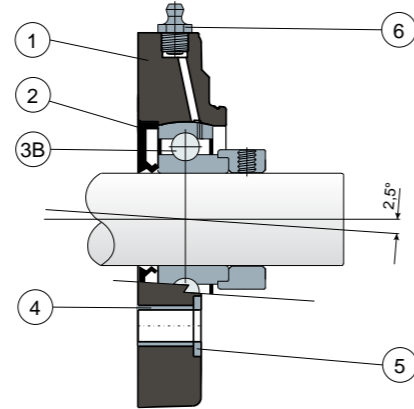


**L** Long Life bearings: life long lubrication. **NEW**

Grub screws shaft locking - Without protection cover



Eccentric collar shaft locking - Without protection cover



- 1) Housing made out of black or white colour polyamide reinforced with glass fibers.
- 2) Back gasket made out of NBR rubber for turning shaft seal.
- 3) Chrome steel or stainless steel bearing AISI 440.
- 3B) Chrome steel bearing.
- 4) Spacer for fixing reinforcement made out of stainless steel AISI 304.
- 5) UNI 6592 support washer made out of stainless steel AISI 304.
- 6) Greaser, straight type with 1/8 gas thread, made out of nickel-plated brass (absent in the versions with Long Life bearing).

NOTE: The protection cover can be ordered separately as an accessory; in the Long Life version, the greaser is absent and the lubrication channel is protected by a rubber cap.

Support dimensions respect ISO 3228 set of rules.  
Maximum shaft alignment error 2,5°.  
For further information please contact our technical office or sales department.

**MATERIALS:** Housing is made out of PA + glass fiber in black or white colours; bearing with grub screws shaft locking in chrome steel or stainless steel; bearing with eccentric collar shaft locking in chrome steel; greaser made out of nickel plated brass; reinforcement bushings and washers made out of stainless steel AISI 304; gaskets made out of NBR rubber; cover made out of polypropylene grey Ral 7042, blue Ral 5015, orange Ral 2004 or red Ral 3000 colour.  
**FEATURES:** The protection cover can be ordered separately as an accessory. Assembly with not shouldered shafts. Maximum shaft alignment error 2,5°.  
**BOX QUANTITY:** 8 pieces.

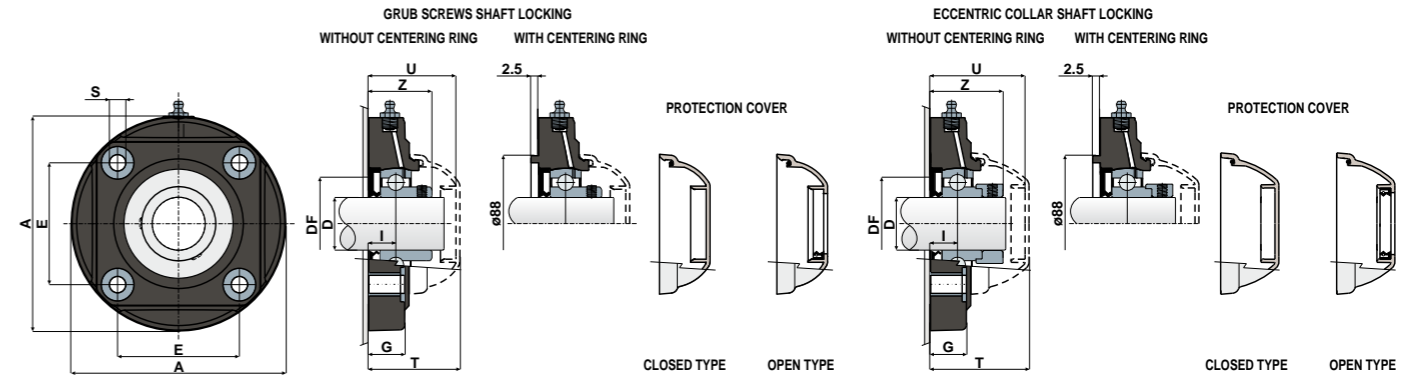
**ON REQUEST:** Versions with body in polypropylene + glass fiber and antibacterial additive; protection covers in different colours and with customized brand; box quantity according to your request; Viton gaskets.

# Round flanged bearing supports

Technical data



Serie **UCFC/CX**



GRUB SCREWS SHAFT LOCKING - FLANGE WITHOUT CENTERING RING

D	SERIE	CHROME STEEL BEARING											COVER CODES													
		Support CODES				DIMENSIONS (mm)							Bearing load (N)	Bearing support load	GREY RAL 7042		BLUE RAL 5015		ORANGE RAL 2004		RED RAL 3000					
		Black	White	Black	White	E	A	S	G	I	Z	U			T	DF	C	CO	(N)	Closed	Open	Closed	Open	Closed	Open	Closed
35	UCFC 207 CX	85663	85666	90385	90384	77,8	137	10,5	26	17	40,6	56	58	70	55	25500	15300	19550	80077	80078	80969	80275	82284	82285	87544	87545

D	SERIE	STAINLESS STEEL BEARING AISI 440											COVER CODES													
		Support CODES				DIMENSIONS (mm)							Bearing load (N)	Bearing support load	GREY RAL 7042		BLUE RAL 5015		ORANGE RAL 2004		RED RAL 3000					
		Black	White	Black	White	E	A	S	G	I	Z	U			T	DF	C	CO	(N)	Closed	Open	Closed	Open	Closed	Open	Closed
35	UCFC 207 CX	85665	85667	90385	90386	77,8	137	10,5	26	17	40,6	56	58	70	55	16600	15300	19550	80077	80078	80969	80275	82284	82285	87544	87545

GRUB SCREWS SHAFT LOCKING - FLANGE WITH CENTERING RING

D	SERIE	CHROME STEEL BEARING											COVER CODES													
		Support CODES				DIMENSIONS (mm)							Bearing load (N)	Bearing support load	GREY RAL 7042		BLUE RAL 5015		ORANGE RAL 2004		RED RAL 3000					
		Black	White	Black	White	E	A	S	G	I	Z	U			T	DF	C	CO	(N)	Closed	Open	Closed	Open	Closed	Open	Closed
35	UCFC 207 CX	86033	86035	90387	90388	77,8	137	10,5	26	17	40,6	56	58	-	-	25500	15300	19550	80077	80078	80969	80275	82284	82285	87544	87545

D	SERIE	STAINLESS STEEL BEARING AISI 440											COVER CODES													
		Support CODES				DIMENSIONS (mm)							Bearing load (N)	Bearing support load	GREY RAL 7042		BLUE RAL 5015		ORANGE RAL 2004		RED RAL 3000					
		Black	White	Black	White	E	A	S	G	I	Z	U			T	DF	C	CO	(N)	Closed	Open	Closed	Open	Closed	Open	Closed
35	UCFC 207 CX	86034	86036	89214	90389	77,8	137	10,5	26	17	40,6	56	58	-	-	16600	15300	19550	80077	80078	80969	80275	82284	82285	87544	87545

ECCENTRIC COLLAR SHAFT LOCKING - FLANGE WITHOUT CENTERING RING

D	SERIE	CHROME STEEL BEARING											COVER CODES							
		Support CODES				DIMENSIONS (mm)							Bearing load (N)	Bearing support load	GREY RAL 7042					
		Black	White	Black	White	E	A	S	G	I	Z	U			T	DF	C	CO	(N)	Closed
35	UCFC 207 CX	88706	88707	90390	90391	77,8	137	10,5	26	17	46,7	60,8	63,3	70	55	25500	15300	19550	88377	88378

ECCENTRIC COLLAR SHAFT LOCKING - FLANGE WITH CENTERING RING

D	SERIE	CHROME STEEL BEARING											COVER CODES							
		Support CODES				DIMENSIONS (mm)							Bearing load (N)	Bearing support load	GREY RAL 7042					
		Black	White	Black	White	E	A	S	G	I	Z	U			T	DF	C	CO	(N)	Closed
35	UCFC 207 CX	88708	88709	90392	90393	77,8	137	10,5	26	17	46,7	60,8	63,3	-	-	25500	15300	19550	88377	88378