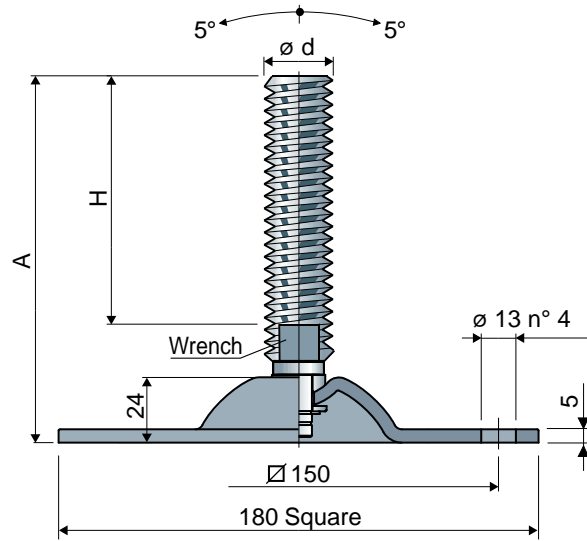


Adjustable feet

(base in steel)

Part. **94** \square 180

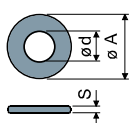


Spindle measures in mm				Spindle and base in zinc plated steel		Spindle and base in stainless steel AISI 304		Max static load (N)
$\varnothing d$	A	H	Wrench	Code	Code			
M16x2	100	57	13	94 / 82968	94 / 86119	45000		
	131	89	13	94 / 89308	94 / 89315			
	161	118	13	94 / 82970	94 / 86121			
	187	144	13	94 / 82972	94 / 86123			
M18x2,5	243	200	13	94 / 82974	94 / 86125	46000		
	199	157	15	94 / 82976	94 / 86127			
	134	89	17	94 / 87326	94 / 87327			
M20x2,5	152	107	17	94 / 82978	94 / 86129	47000		
	181	136	17	94 / 82980	94 / 86131			
	202	157	17	94 / 82982	94 / 86133			
	235	190	17	94 / 82984	94 / 86135			
	283	238	17	94 / 83262	94 / 86137			
M24x3	138	90	19	94 / 82986	94 / 86139	48000		
	175	127	19	94 / 82988	94 / 86141			
	210	162	19	94 / 82990	94 / 86143			
	250	202	19	94 / 83264	94 / 86145			
M30x3,5	173	125	24	94 / 82992	94 / 86147	49000		
	233	185	24	94 / 82994	94 / 86149			

Materials: Spindle and base in zinc plated steel or stainless steel AISI 304.

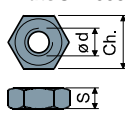
Box quantity: 8 pieces.

Washers UNI 6592-69 - Box quantity: 24 pieces.



$\varnothing M$	M16	M20	M24	M30
Smm	3	3	4	4
$\varnothing A$ mm	30	37	44	56
Zinc plated steel codes	7289	7290	7293	7295
Stainless steel codes	7291	7292	7294	7296

Nuts UNI 5588-65 - Box quantity: 24 pieces.



$\varnothing d$	M16	M20	M24	M30
Smm	13	16	19	24
Ch. mm	24	30	36	46
Zinc plated steel codes	7275	7276	7279	7281
Stainless steel codes	7277	7278	7280	7282

On request

- Spindles with: Sunk hexagon head • second wrench seat head • hexagon wrench seat • threads with other pitches and lengths.
- Assembling of: Nuts • washers.
- Box quantity: According to your request.