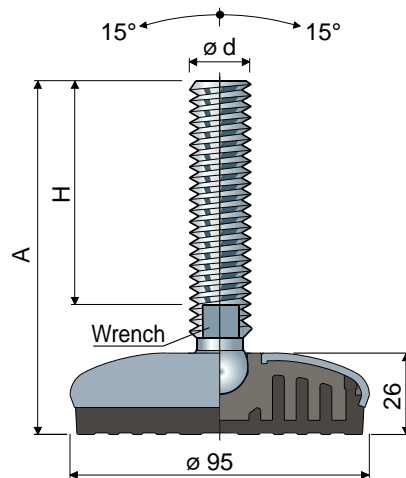


# Articulated feet, sanitizable

(base in stainless steel)

Ø 95 Part. 101



Spindle measures in mm				Spindle and base in stainless steel AISI 304 Code	Max static load (N)
ød	A	H	Wrench		
M16x2	103	60	13	101 / 83073	22000
	133	90	13	101 / 83074	
	148	105	13	101 / 83075	
	168	125	13	101 / 83076	
	198	155	13	101 / 83077	
	208	165	13	101 / 83078	
M20x2,5	248	205	13	101 / 83263	24000
	132	86	17	101 / 83079	
	162	116	17	101 / 83209	
	187	141	17	101 / 83081	
	207	161	17	101 / 88857	
M24x3	244	198	17	101 / 83082	26000
	142	96	19	101 / 83083	
	168	122	19	101 / 83084	
	198	152	19	101 / 83085	
M30x3,5	228	182	19	101 / 83086	28000
	346	300	19	101 / 83087	
	190	144	24	101 / 86220	28000

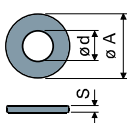
Spindle measures in inches				Spindle and base in stainless steel AISI 304 Code	Max static load (N)
ød	A	H	Wrench		
5/8"-11 UNC	8,70"	7"	1/2"	101 / 83145	22000
3/4"-10 UNC	8,78"	7"	5/8"	101 / 83155	24000

**Base material:** Internal part made of reinforced polyamide; external covering made of stainless steel AISI 304; anti-slip pad made of thermoplastic rubber 68 Shore black colour.

**Features:** Co-moulded anti-slip pad allows a perfect adherence with steel base. Consequent absence of internal cavities makes foot extremely cleanable.

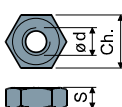
**Box quantity:** 8 pieces.

**Washers UNI 6592-69 - Box quantity: 24 pieces.**



ø M	M16	M20	M24	M30
Smm	3	3	4	4
ø A mm	30	37	44	56
Stainless steel codes	7291	7292	7294	7296

**Nuts UNI 5588-65 - Box quantity: 24 pieces.**



ø d	M16	M20	M24	M30
Smm	13	16	19	24
Ch. mm	24	30	36	46
Stainless steel codes	7277	7278	7280	7282

**On request**

- Spindles with: Sunk hexagon head • second wrench seat head • hexagon wrench seat • threads with other pitches and lengths • stainless steel AISI 316.
- Anti-slip pads: White colour.
- Assembling of: Nuts • washers.
- Box quantity: According to your request.

Thread sizes in inches are expressed as the number of threads (UNC coarse thread) per Imperial inch