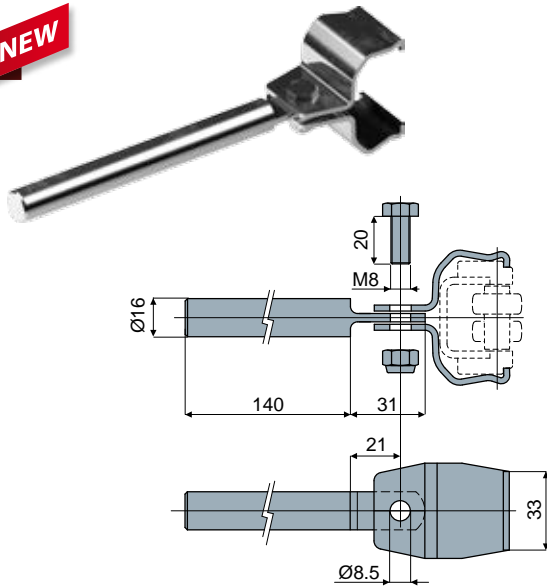


Guide rail clamps

Part. **548**

Clamp kit for guide rail
(single type, rectilinear and curvilinear)

NEW



Material	Code
Zinc plated steel	548 / 90440
Stainless steel AISI 304	548 / 90441

MATERIALS: Pin, clamp, nut and screw in zinc plated steel or stainless steel AISI 304.

FEATURES: To be used with side guides Part.501, 502.

BOX QUANTITY: 8 pieces.

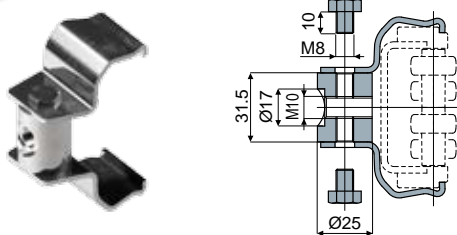
ON REQUEST:

- Box quantity: According to your request.

Part. **548**

Clamp kit for guide rail
(double type, rectilinear)

NEW



Material	Code
Zinc plated steel	548 / 90442
Stainless steel AISI 304	548 / 90443

MATERIALS: Clamp, screws and spacer in zinc plated steel or stainless steel AISI 304.

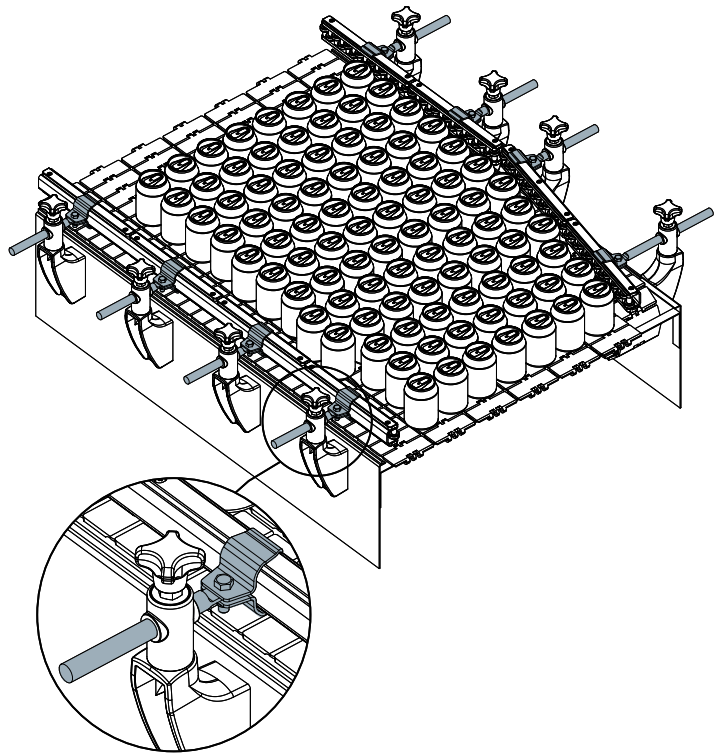
FEATURES: To be used with side guides Part.501. It can be used with our pin Part.301 Type 2.

BOX QUANTITY: 8 pieces.

ON REQUEST:

- Box quantity: According to your request.

For heavy loads



For heavy loads

