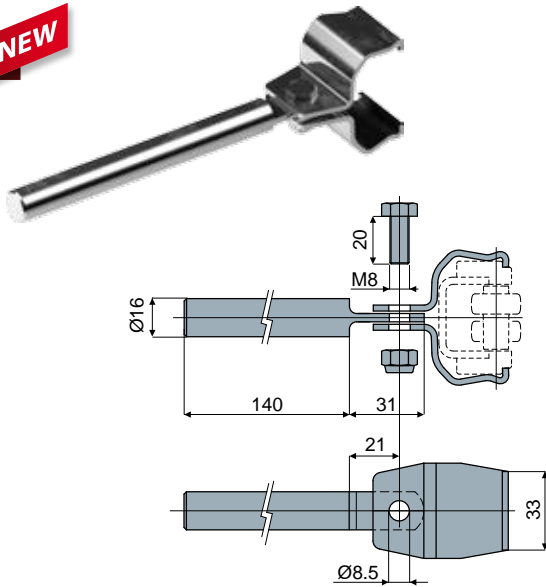


# Guide rail clamps

Part. **548**

**Clamp kit for guide rail**  
(single type, rectilinear and curvilinear)

**NEW**



| Material                 | Code        |
|--------------------------|-------------|
| Zinc plated steel        | 548 / 90440 |
| Stainless steel AISI 304 | 548 / 90441 |

**MATERIALS:** Pin, clamp, nut and screw in zinc plated steel or stainless steel AISI 304.

**FEATURES:** To be used with side guides Part.501, 502.

**BOX QUANTITY:** 8 pieces.

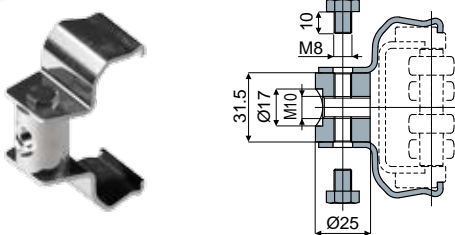
**ON REQUEST:**

- Box quantity: According to your request.

Part. **548**

**Clamp kit for guide rail**  
(double type, rectilinear)

**NEW**



| Material                 | Code        |
|--------------------------|-------------|
| Zinc plated steel        | 548 / 90442 |
| Stainless steel AISI 304 | 548 / 90443 |

**MATERIALS:** Clamp, screws and spacer in zinc plated steel or stainless steel AISI 304.

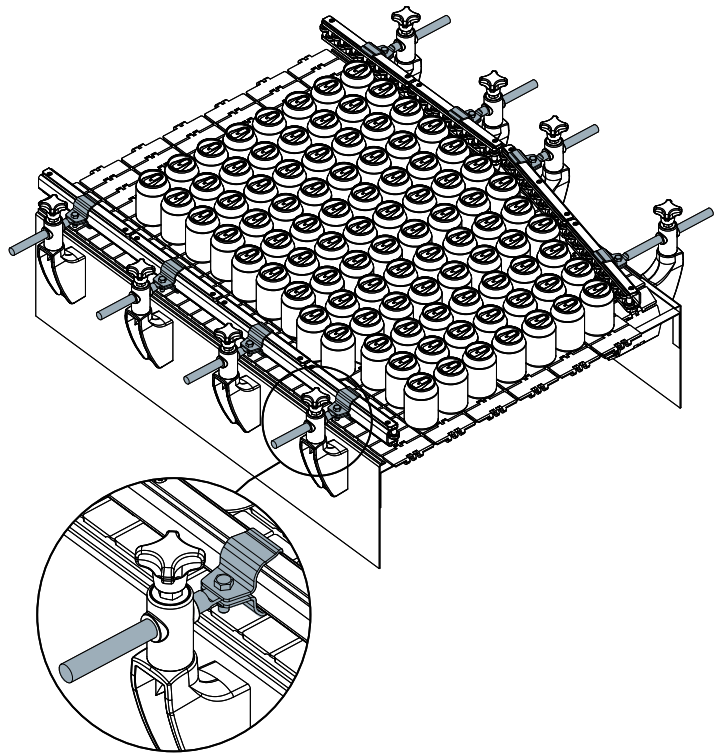
**FEATURES:** To be used with side guides Part.501. It can be used with our pin Part.301 Type 2.

**BOX QUANTITY:** 8 pieces.

**ON REQUEST:**

- Box quantity: According to your request.

For heavy loads



For heavy loads

