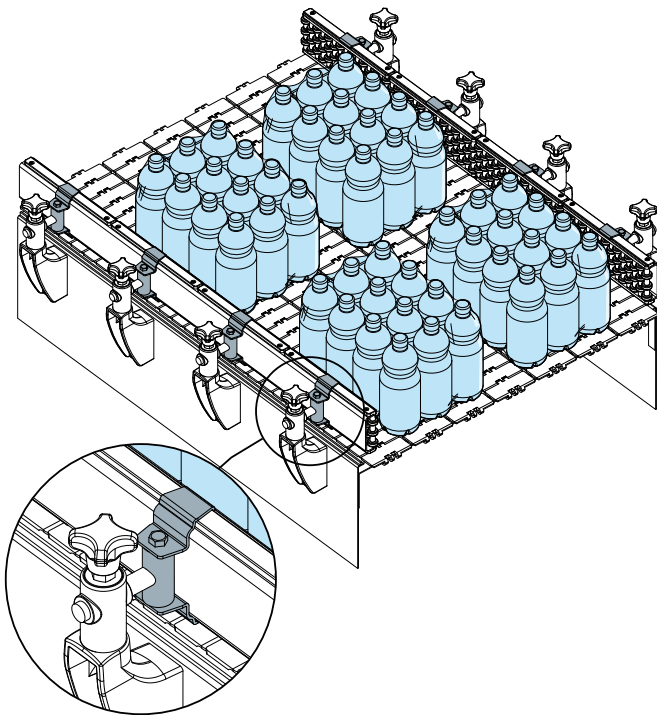


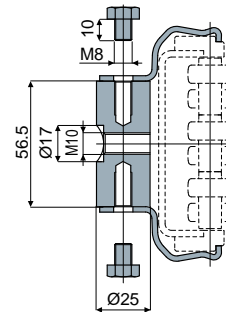
Guide rail clamps

For heavy loads



Clamp kit for guide rail (triple type, rectilinear)

Part. **548**



NEW



Material	Code
Zinc plated steel	548 / 90444
Stainless steel AISI 304	548 / 90445

MATERIALS: Clamp, screws and spacer in zinc plated steel or stainless steel AISI 304.

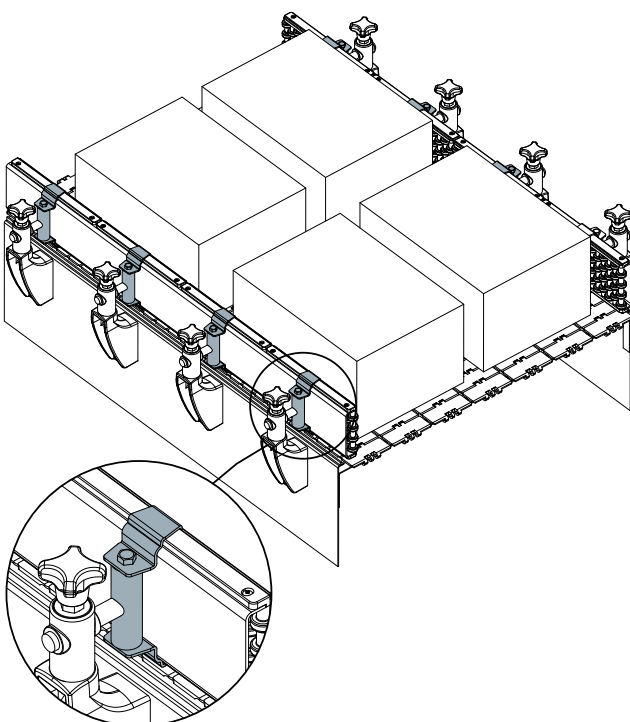
FEATURES: To be used with side guides Part.501. It can be used with our pin Part.301 Type 2.

BOX QUANTITY: 8 pieces.

ON REQUEST:

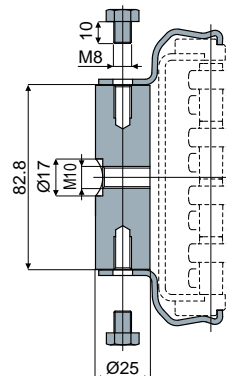
- Box quantity: According to your request.

For heavy loads



Clamp kit for guide rail (quadruple type, rectilinear)

Part. **548**



NEW



Material	Code
Zinc plated steel	548 / 90446
Stainless steel AISI 304	548 / 90447

MATERIALS: Clamp, screws and spacer in zinc plated steel or stainless steel AISI 304.

FEATURES: To be used with side guides Part.501. It can be used with our pin Part.301 Type 2.

BOX QUANTITY: 8 pieces.

ON REQUEST:

- Box quantity: According to your request.