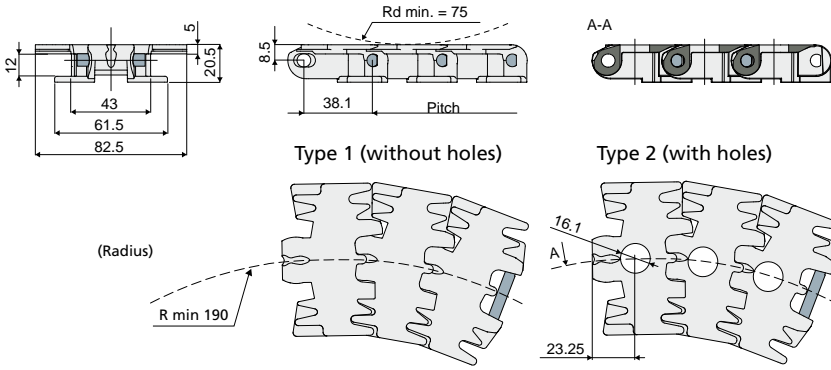


Chains and accessories

Sideflex chain (879 TAB Safety Finger)

Part. **710**



Code	Type	Material	Colour
710 / 85400	1	Acetal	White
710 / 86206	1	Acetal	Brown
710 / 86096	1	Electroconductive Acetal	Black
710 / 90438	2	Acetal	White

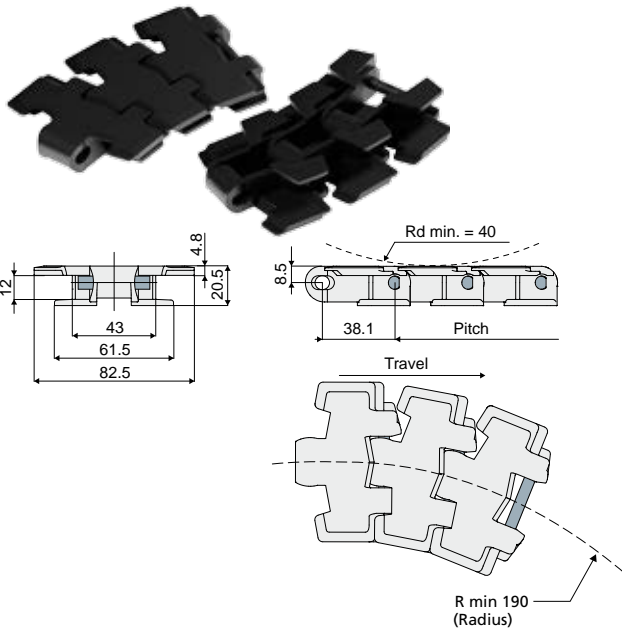
MATERIALS: Top plates made of white or brown colour acetal or black colour electroconductive acetal; pins made of stainless steel AISI 304.
FEATURES: To be used with wheels: Part.310, 457, 456, 455, 454, 458, 459. Max. working load: 2100 N. The version with holes (Type 2) can be used in systems where the release of shavings during the transport phases is expected (see example alongside); the holes facilitate the disposal of the shavings.

BOX QUANTITY: 3,05 Mt.

ON REQUEST:

- Top plates: In different materials; other colours.
- Box quantity: According to your request.

Part. **711** Sideflex chain (879 TAB BO)



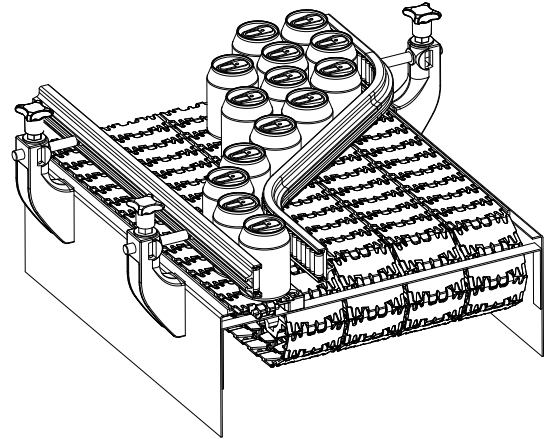
Code	Material	Colour
711 / 86729	Acetal	Brown
711 / 86730	PA + auto-lubricating additive	Black

MATERIALS: Top plates in brown colour acetal or in black colour polyamide with auto-lubricating additive; pins in stainless steel AISI 304.
FEATURES: To be used with wheels: Part.310, 457, 456, 455, 454, 458, 459. Max. working load: 2100 N.
BOX QUANTITY: 3,05 Mt.

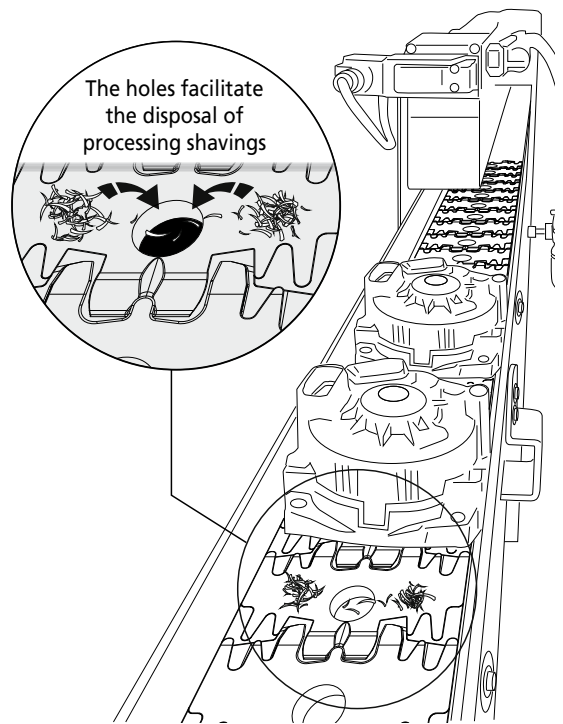
ON REQUEST:

- Top plates: In different materials; other colours.
- Box quantity: According to your request.

Example of application



Example of application



Example of application

