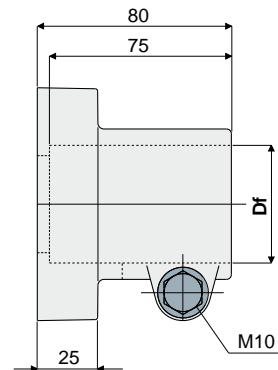
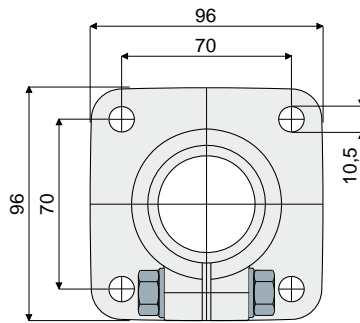


# Bearing heads

## Part. 212 Bearing head



Df Bore for tubes of (mm)	(Inches)	Zinc plated steel bolts and nuts Code	Stainless steel AISI 304 bolts and nuts Code
48,3	1" 1/2 GAS	212 / 80650	212 / 80651
50,8	2" IMPERIAL	212 / 83208	212 / 83110

**MATERIALS:** Bearing head made of reinforced polyamide black colour; bolts and nuts made of stainless steel AISI 304 or zinc plated steel.

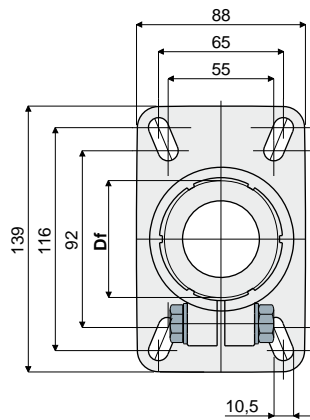
**FEATURES:** Max tightening torque 3,6 Kg-m.

**BOX QUANTITY:** 8 pieces.

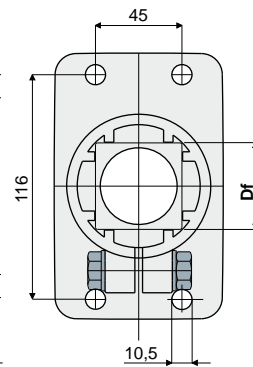
**ON REQUEST:**

- Bearing heads: In reinforced polypropylene, other colours.
- Box quantity: According to your request.
- Assembling of: Bolts and nuts.

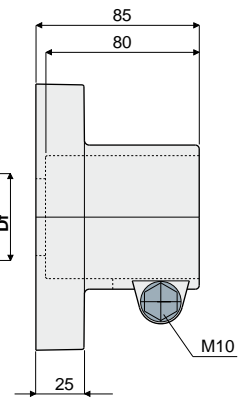
## Part. 208 Bearing head



For round tubes



For square tubes



Df Bore for tubes of (mm)	(Inches)	Zinc plated steel bolts and nuts Code	Stainless steel AISI 304 bolts and nuts Code
60,3	2" GAS	208 / 80764	208 / 80765
50,8	2" IMPERIAL	208 / 82072	208 / 82073
48,3	1" 1/2 GAS	208 / 80766	208 / 80767
42,4	1" 1/4 GAS	208 / 80768	208 / 80769
40x40	square tube	208 / 85110	208 / 85111
45x45	square tube	208 / 80770	208 / 80771

**MATERIALS:** Bearing head made of reinforced polyamide black colour; bolts and nuts made of stainless steel AISI 304 or zinc plated steel.

**FEATURES:** Max tightening torque 3,6 Kg-m.

**BOX QUANTITY:** 8 pieces.

**ON REQUEST:**

- Bearing heads: In reinforced polypropylene, other colours.
- Box quantity: According to your request.
- Assembling of: Bolts and nuts.

Imperial inch dimensions conform to the British Imperial system; GAS inch dimensions comply with ANSI B36.10