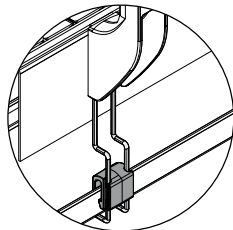


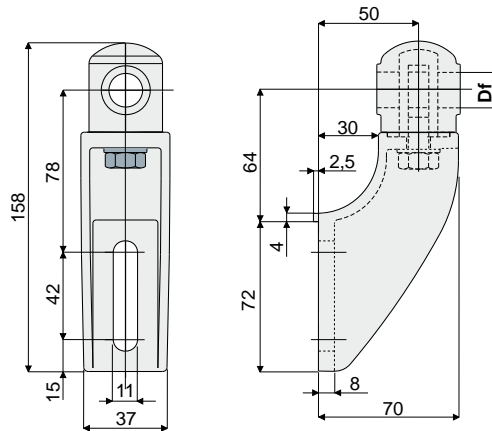
Guide rail brackets

Guide rail bracket (with adjustable head)

Part. **217**



Presetting for
drip tray support
(see on page 29)



Df Bore for pin of (mm)	Code
12	217 / 80760
14	217 / 80761
16	217 / 80762

MATERIALS: Bracket and head made of reinforced polyamide black colour; eyebolt, nut and washer made of stainless steel AISI 304.

FEATURES: Max tightening torque 4 Kg·m.

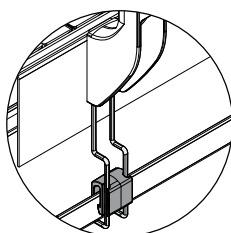
BOX QUANTITY: 24 pieces.

ON REQUEST:

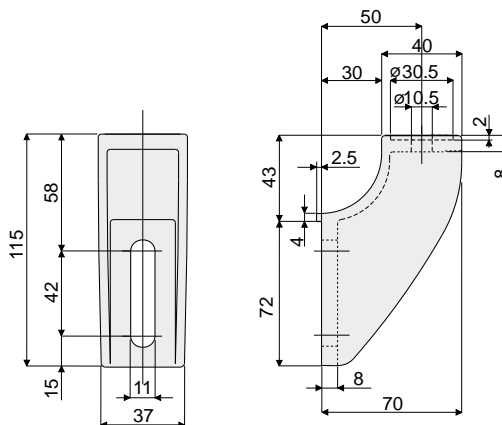
- **Brackets:** In reinforced polypropylene, other colours.
- **Box quantity:** According to your request.

Guide rail bracket (for adjustable heads)

Part. **209**



Presetting for
drip tray support
(see on page 29)



Code
209 / 80754

MATERIALS: Bracket made out of reinforced polyamide black colour.

FEATURES: To be used with heads Part.221, 222, 223 and 266.

BOX QUANTITY: 24 pieces.

ON REQUEST:

- **Brackets:** In reinforced polypropylene, other colours.
- **Box quantity:** According to your request.