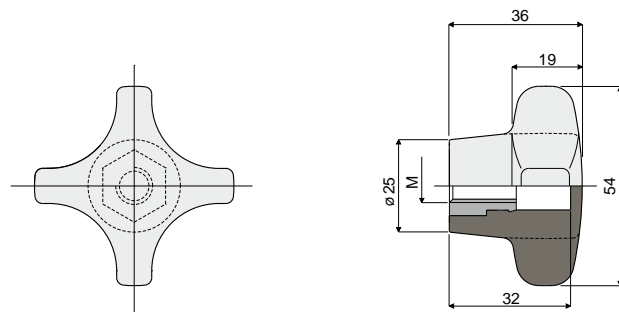


Knobs and handles

Knob for bracket (reinforced type) Part. 246



M	Code
M8	246 / 84473
M10	246 / 81135
M12	246 / 84870

MATERIALS: Knob made of reinforced polyamide black colour; threaded bushing is made of nickel plated brass.

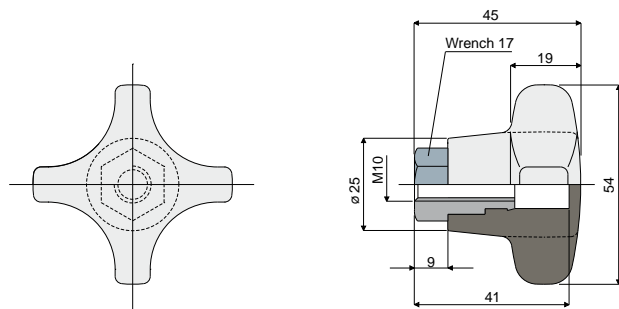
FEATURES: Accessory to be applied to our heads Part.221 and Part.266.

BOX QUANTITY: 24 pieces.

ON REQUEST:

- Knobs: In reinforced polypropylene, other colours.
- Box quantity: According to your request.

Knob for bracket (reinforced type) Part. 247



Code
247 / 81137

MATERIALS: Knob made of reinforced polyamide black colour; threaded bushing made of nickel plated brass.

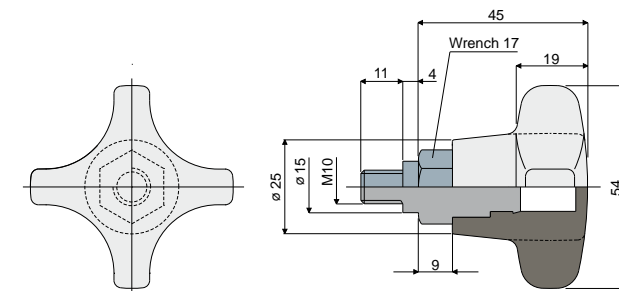
FEATURES: Accessory to be applied to our heads Part.221 and Part.266.

BOX QUANTITY: 24 pieces.

ON REQUEST:

- Knobs: In reinforced polypropylene, other colours.
- Box quantity: According to your request.

Knob for bracket (reinforced type) Part. 248



Code
248 / 81139

MATERIALS: Knob made of reinforced polyamide black colour; threaded insert made of nickel plated brass.

FEATURES: Accessory to be applied to our head Part.223.

BOX QUANTITY: 24 pieces.

ON REQUEST:

- Knobs: In reinforced polypropylene, other colours.
- Box quantity: According to your request.