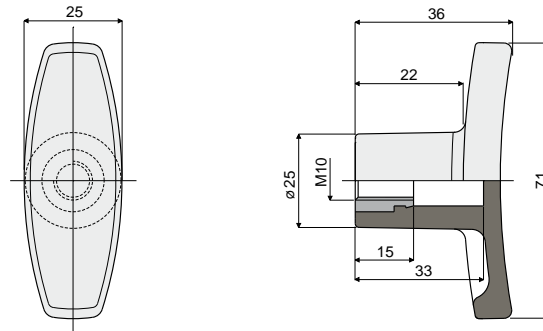


Knobs and handles

"T"- handle Part. 303



Code
303 / 82806

MATERIALS: Handle is made of reinforced polyamide black colour; threaded bushing is made of nickel plated brass.

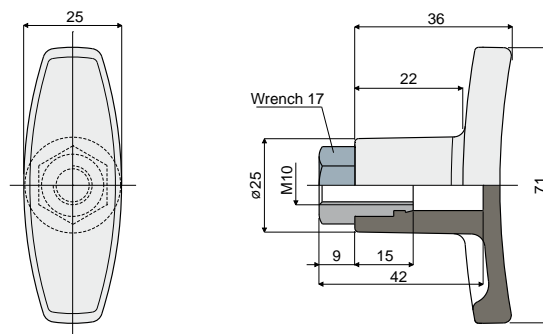
FEATURES: Accessory to be used with heads Part.221 and 266.

BOX QUANTITY: 24 pieces.

ON REQUEST:

- Handles: made of reinforced polypropylene, other colours.
- Box quantity: According to your request.

"T"- handle Part. 304



Code
304 / 82807

MATERIALS: Handle is made of reinforced polyamide black colour; threaded bushing is made of nickel plated brass.

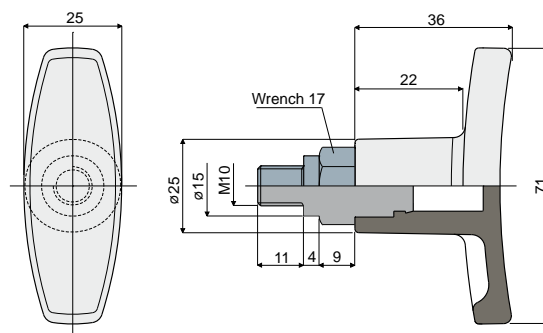
FEATURES: Accessory to be used with heads Part.221 and 266.

BOX QUANTITY: 24 pieces.

ON REQUEST:

- Handles: made of reinforced polypropylene, other colours.
- Box quantity: According to your request.

"T"- handle Part. 305



Code
305 / 82808

MATERIALS: Handle is made of reinforced polyamide black colour; threaded bushing is made of nickel plated brass.

FEATURES: Accessory to be used with heads Part.223.

BOX QUANTITY: 24 pieces.

ON REQUEST:

- Handles: made of reinforced polypropylene, other colours.
- Box quantity: According to your request.