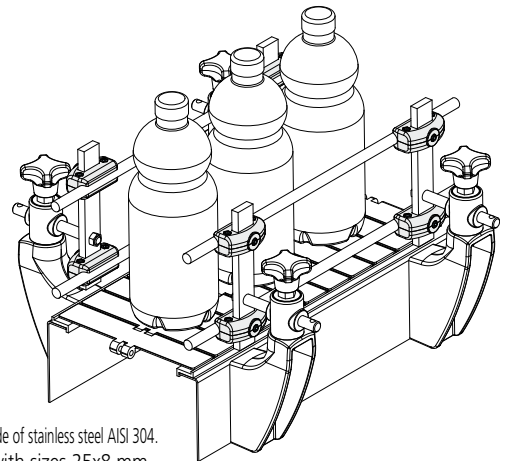
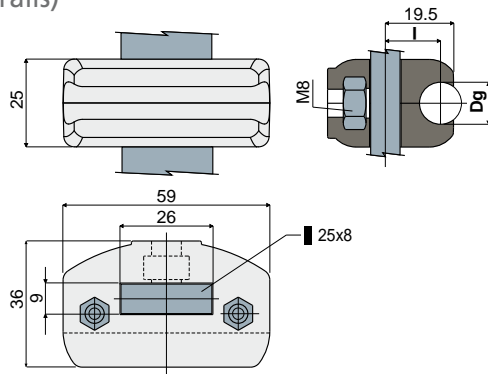


Guide rail clamps

Part. 231

Guide rail clamp (for round rails)

Example of application



Dg Rail diameter (mm)	l (mm)	Code
8	16	231 / 80749
10	15	231 / 80788
12	15	231 / 80687
14	15	231 / 80787

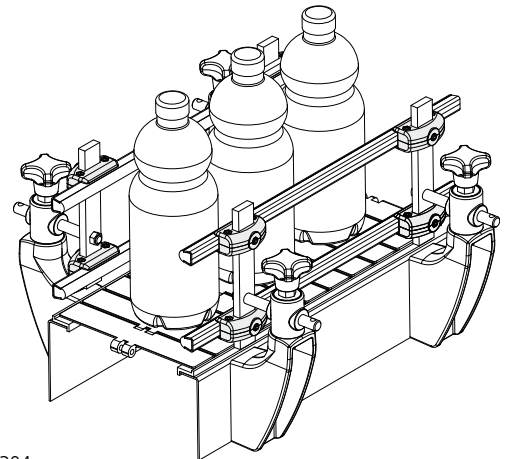
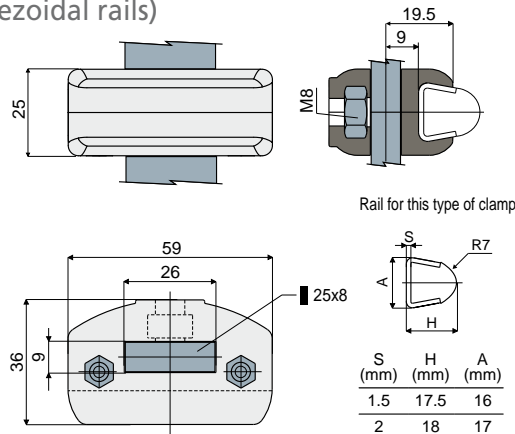
MATERIALS: Clamp made of reinforced polyamide black colour; bolts and nuts made of stainless steel AISI 304.
FEATURES: Supplied assembled. To be used with flat support with sizes 25x8 mm.
BOX QUANTITY: 24 pieces.
ON REQUEST:

- Clamps: In reinforced polypropylene, other colours.
- Box quantity: According to your request.

Part. 232

Guide rail clamp (for trapezoidal rails)

Example of application



Code
232 / 80688

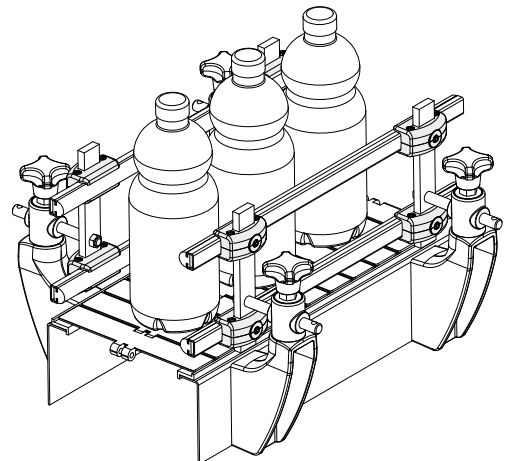
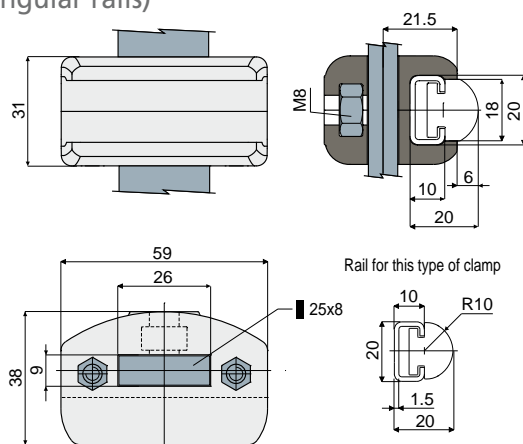
MATERIALS: Clamp made of reinforced polyamide black colour; bolts and nuts made of stainless steel AISI 304.
FEATURES: Supplied assembled. To be used with flat support with sizes 25x8 mm. With this item it is possible to use thickness 1,5 and 2 mm guides: Part.353, 354, 377, 418, 419, 420, 446, 469, 485, 514.
BOX QUANTITY: 24 pieces.
ON REQUEST:

- Clamps: In reinforced polypropylene, other colours.
- Box quantity: According to your request.

Part. 291

Guide rail clamp (for rectangular rails)

Example of application



Code
291 / 82578

MATERIALS: Clamp made of reinforced polyamide black colour; bolts and nuts made of stainless steel AISI 304.
FEATURES: Supplied assembled. To be used with flat profile with sizes 25x8 mm. To be used for the support of the product guide rail Part.373.
BOX QUANTITY: 24 pieces.
ON REQUEST:

- Clamps: In reinforced polypropylene, other colours.
- Box quantity: According to your request.