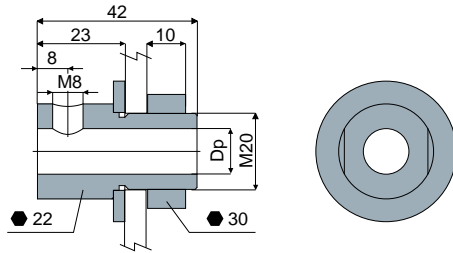


# Clamps

## Part. 537 Pin holder clamp

**NEW**



Dp Pin diameter (mm)	Code
12	537 / 88744

**MATERIALS:** Clamp, bolts and nuts in stainless steel AISI 304.

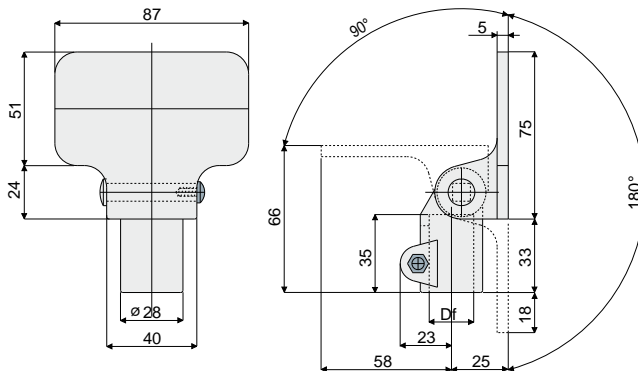
**FEATURES:** To be used in the air systems for PET bottles.

**BOX QUANTITY:** 24 pieces.

**ON REQUEST:**

- Box Quantity: According to your request.

## Part. 206 Clamp support for photocells (for photocells and reflectors)



Df Bore for pin of (mm)	Code
12	206 / 82010 (can be used also with square pins 10x10)
14	206 / 80818
15	206 / 80819
16	206 / 80820
18	206 / 80821
20	206 / 80822

**MATERIALS:** Clamp made of reinforced polyamide black colour; bolts and nuts made of stainless steel AISI 304.

**FEATURES:** Possibility of assembly in various positions.

**BOX QUANTITY:** 24 pieces.

**ON REQUEST:**

- Clamps: In reinforced polypropylene, other colours.
- Box quantity: According to your request.

### Example of application

