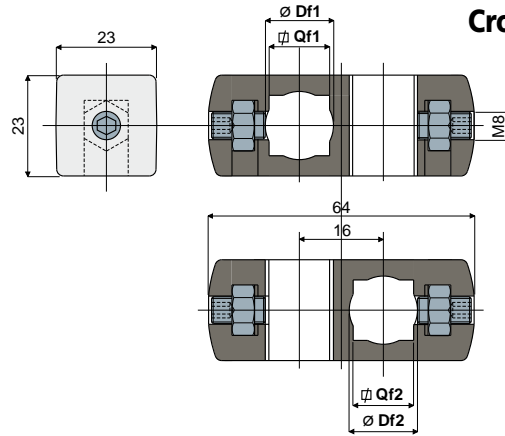
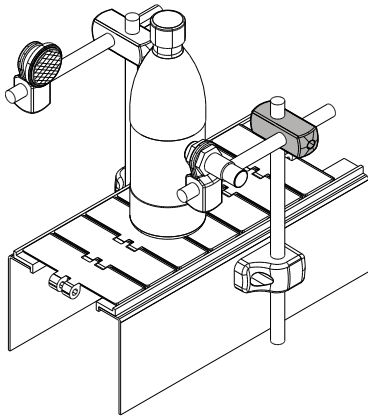


Clamps

Example of application



Cross clamp Part. **239**



Bore for pin of		Bore for pin of		Code
Df1	Qf1	Df2	Qf2	
round (mm)	square (mm)	round (mm)	square (mm)	
10	8	10	8	239 / 80993
12	10	12	10	239 / 80994
14	12	14	12	239 / 80995

MATERIALS: Clamp made of reinforced polyamide black colour; grub screws and nuts made of stainless steel AISI 304.

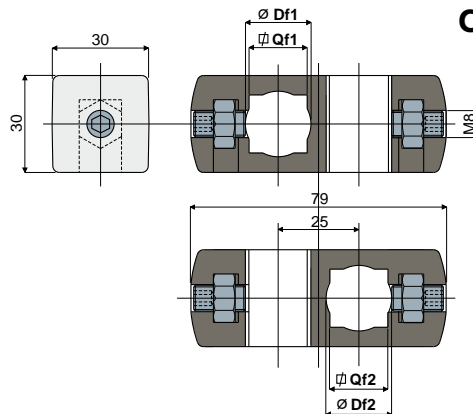
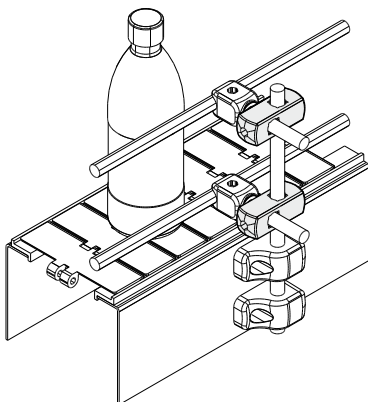
FEATURES: This part can be used with round and square pins either.

BOX QUANTITY: 24 pieces.

ON REQUEST:

- Clamps: With different bores sizes, in reinforced polypropylene, other colours.
- Box quantity: According to your request.

Example of application



Cross clamp Part. **241**



Bore for pin of		Bore for pin of		Code
Df1	Qf1	Df2	Qf2	
round (mm)	square (mm)	round (mm)	square (mm)	
14	12	14	12	241 / 80988
14	12	15	-	241 / 89147 NEW
14	12	16	-	241 / 89149 NEW
14	12	18	-	241 / 82117 NEW
14	12	20	-	241 / 82540 NEW
15	-	15	-	241 / 80989
15	-	16	-	241 / 89148 NEW
15	-	18	-	241 / 89151 NEW
15	-	20	-	241 / 89152 NEW
16	-	16	-	241 / 80990
16	-	18	-	241 / 89150 NEW
16	-	20	-	241 / 82271 NEW
18	-	18	-	241 / 80991
18	-	20	-	241 / 89153 NEW
20	-	20	-	241 / 80992

MATERIALS: Clamp made of reinforced polyamide black colour; grub screws and nuts made of stainless steel AISI 304.

FEATURES: This part can be used with round and square pins either, only in the version Df1 14.

BOX QUANTITY: 24 pieces.

ON REQUEST:

- Clamps: With different bores sizes, in reinforced polypropylene, other colours.
- Box quantity: According to your request.