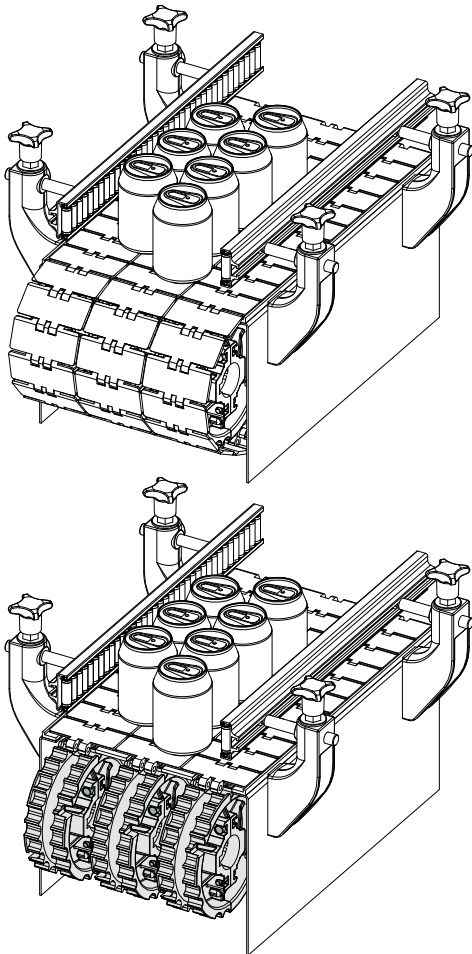


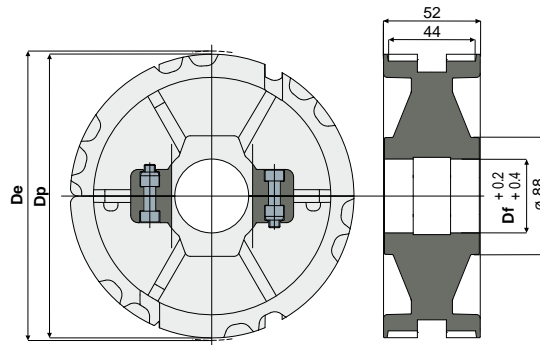
Idler wheels

Example of application



Split idler wheel 25 teeth (for chains series 815, 820, 831)

Part. **535**



Df (mm)	Dp (mm)	De (mm)	Code
25	153,2	153	535 / 88680
30	153,2	153	535 / 88681
35	153,2	153	535 / 88682
40	153,2	153	535 / 88683

MATERIALS: Wheel made of polyamide black colour; screws made of stainless steel AISI 304, nuts in nickel plated brass.

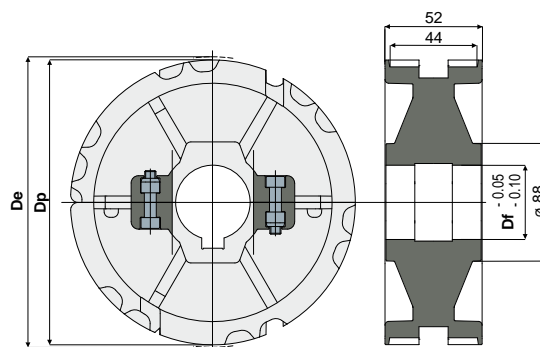
BOX QUANTITY: 8 pieces.

ON REQUEST:

- Wheels: In other materials.
- Box quantity: According to your request.

Split sprocket 25 teeth (for chains series 815, 820, 831)

Part. **523**



Df (mm)	Dp (mm)	De (mm)	Code
25	153,2	153	523 / 87357
30	153,2	153	523 / 87358
35	153,2	153	523 / 87359
40	153,2	153	523 / 87360

MATERIALS: Wheel made of reinforced polyamide black colour; screws made of stainless steel AISI 304, nuts in nickel plated brass.

FEATURES: Dimensions of the keyway UNI 6604-69 - DIN 6885/1.

BOX QUANTITY: 8 pieces.

ON REQUEST:

- Wheels: In other materials.
- Box quantity: According to your request.