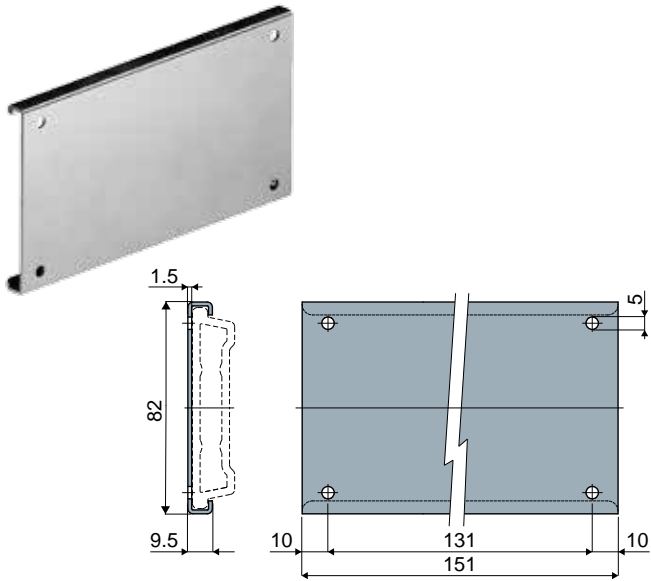


Product guides and accessories

Part. 511 Connecting joint (for Part.463)



Code
511 / 87044

MATERIALS: Joint and screws made of stainless steel AISI 304.

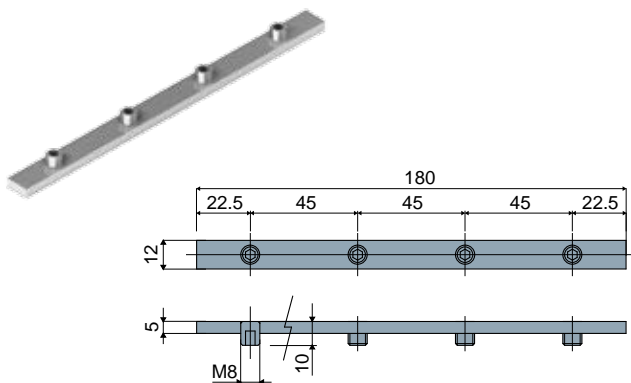
FEATURES: To be used for connecting the profiles Part.463.

BOX QUANTITY: 8 pieces.

ON REQUEST:

- Box quantity: According to your request.

Part. 318 Connecting bar for guides



Bar in zinc plated steel	Bar in stainless steel AISI 304
Code	Code
318 / 82913	318 / 90415 NEW

MATERIALS: Bar made of zinc plated steel or stainless steel AISI 304; screws M8x10 made of zinc plated steel or stainless steel.

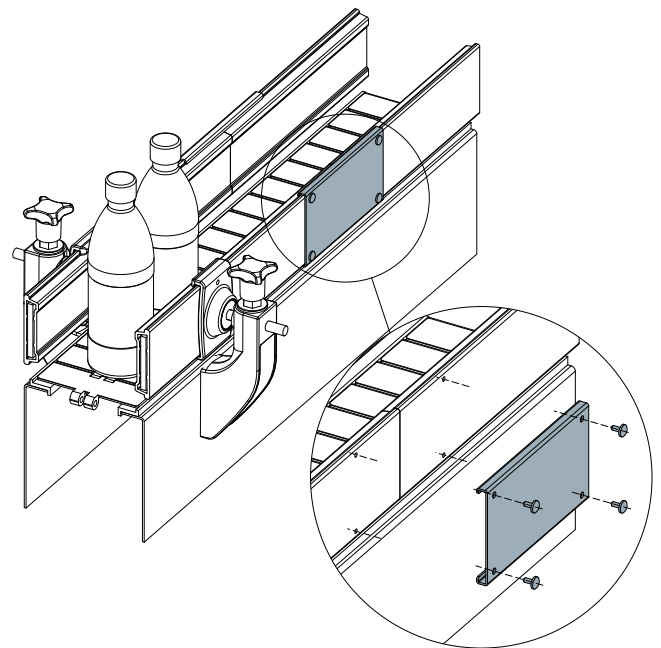
FEATURES: To be used for connecting the metal profiles of Part. 306, 307, 308, 319, 468, 474, 475, 476, 325, 326, 327, 328, 467, 477, 478, 479, 355, 356, 357, 358, 464, 480, 320, 321, 322, 323, 381 (Type 2), 384 (Type 2).

BOX QUANTITY: 8 pieces.

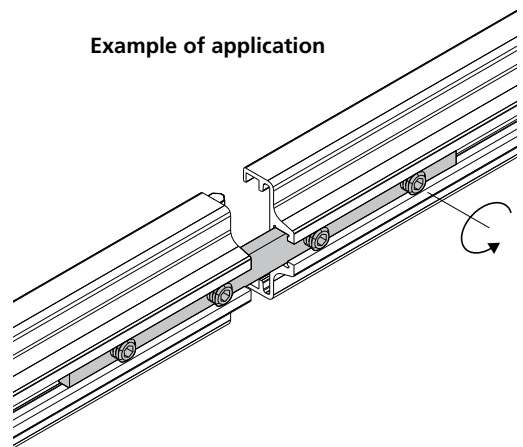
ON REQUEST:

- Box quantity: According to your request.

Example of application



Example of application



Example of application

