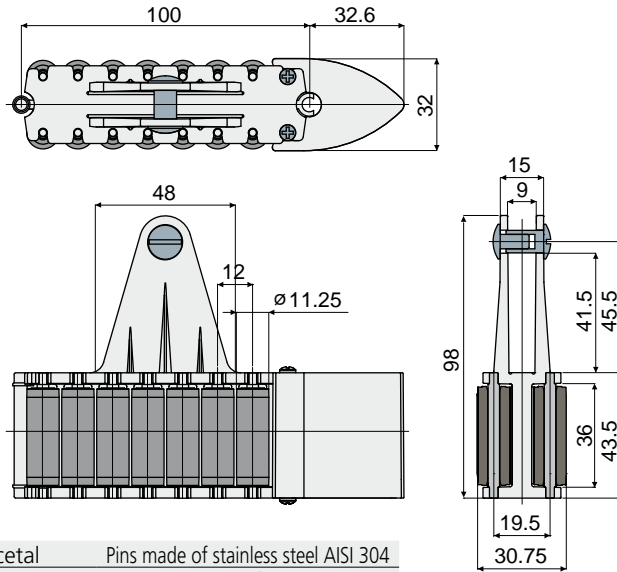


Product guides and accessories

Part. 449

Separation Block with cylinders (for Part.452)



Pins made of acetal	Pins made of stainless steel AISI 304
Code	Code
449 / 85375	449 / 85460

MATERIALS: Rollers in polyethylene grey colour; module in acetal resin black colour; shoe in acetal resin grey colour; support pins in black acetal or in stainless steel AISI 304.

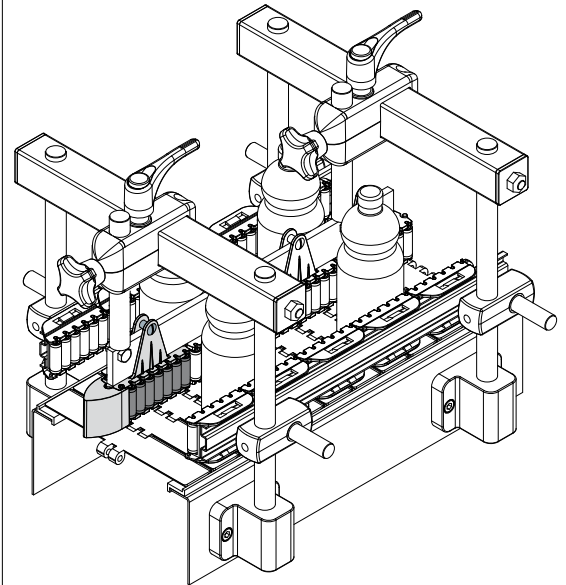
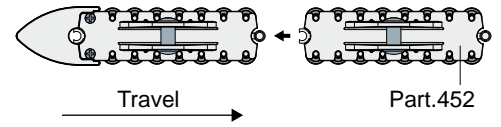
FEATURES: Supplied already assembled (1 module + 1 shoe); for 40x8 mm plate.

BOX QUANTITY: 2 pieces.

ON REQUEST:

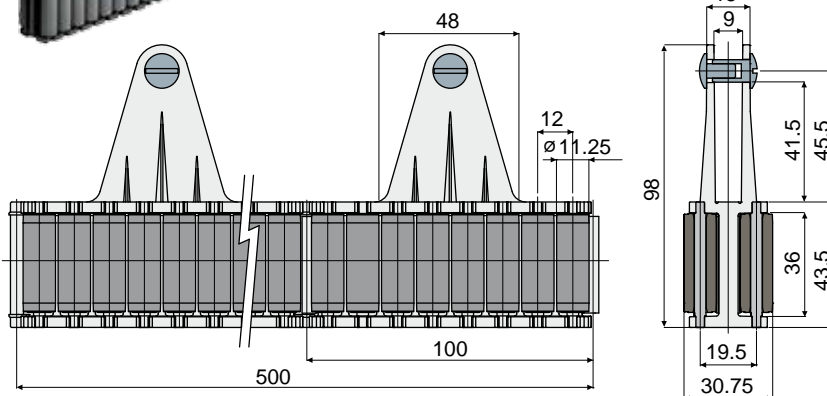
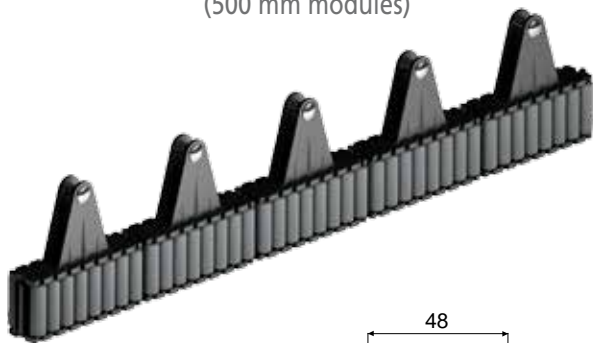
- Module and rollers: Can be produced in other colours.
- Box quantity: According to your request.

Example of application



Part. 452

Roller central guide with cylinders (500 mm modules)



Pins made of acetal	Pins made of stainless steel AISI 304
Code	Code
452 / 85378	452 / 85468

MATERIALS: Rollers in polyethylene grey colour; modules in acetal resin black colour; support pins in black acetal or in stainless steel AISI 304.

FEATURES: Supplied already assembled, in modules of 500 mm length, for 40x8 mm plate.

Min. curvature radius: 335 mm.

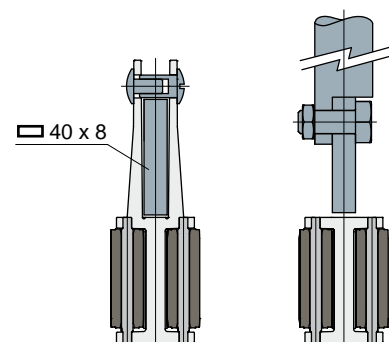
BOX QUANTITY: 12 pieces.

ON REQUEST:

- Module and rollers: Can be produced in other colours.
- Box quantity: According to your request.

Example of application

Fixing with plate



Fixing with metal profile

