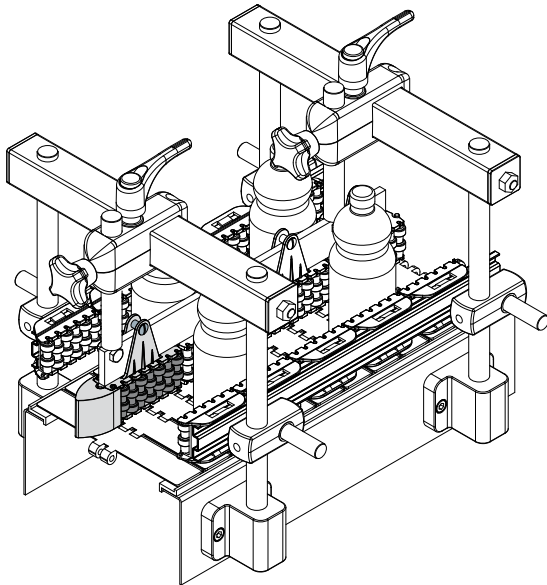
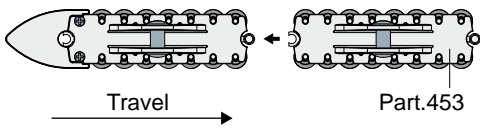


Product guides and accessories

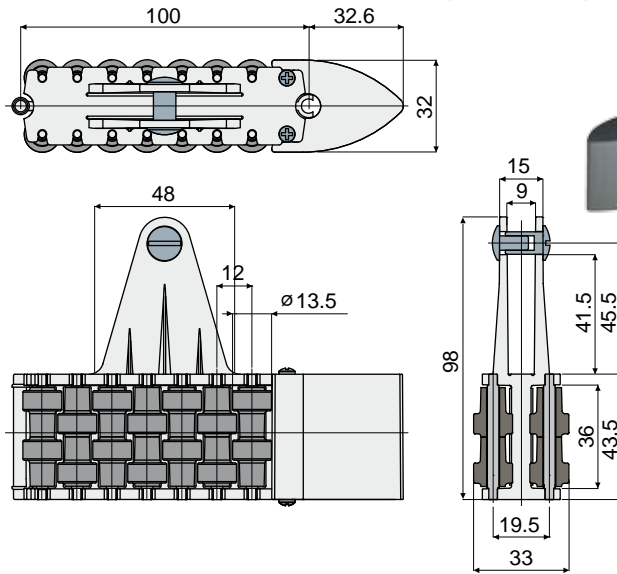
Example of application



Example of application

Separation Block with round rollers (for Part.453)

Part. **450**



Pins made of acetal	Pins made of stainless steel AISI 304
Code	Code
450 / 85376	450 / 85461

MATERIALS: Rollers in polyethylene grey colour; module in acetal resin black colour; shoe in acetal resin grey colour; support pins in black acetal or in stainless steel AISI 304.

FEATURES: Supplied already assembled (1 module + 1 shoe); for 40x8 mm plate.

BOX QUANTITY: 2 pieces.

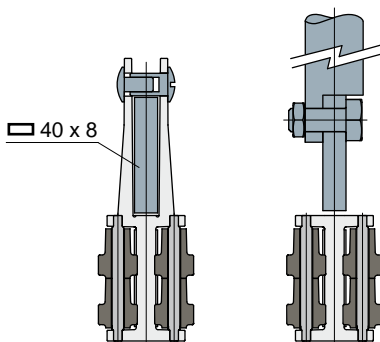
ON REQUEST:

- Module and rollers: Can be produced in other colours.
- Box quantity: According to your request.

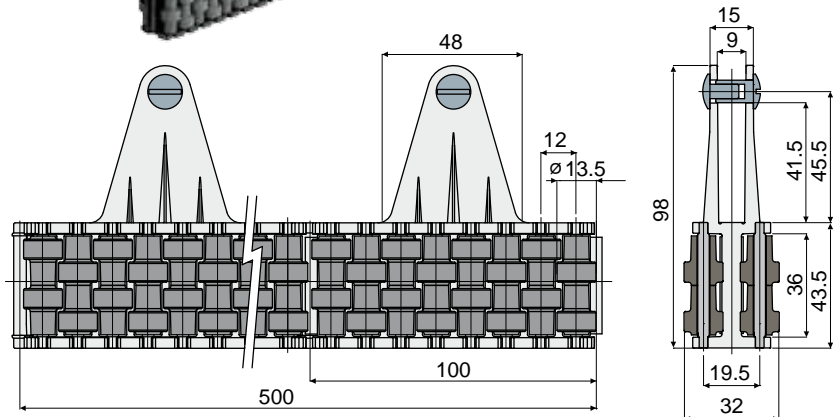
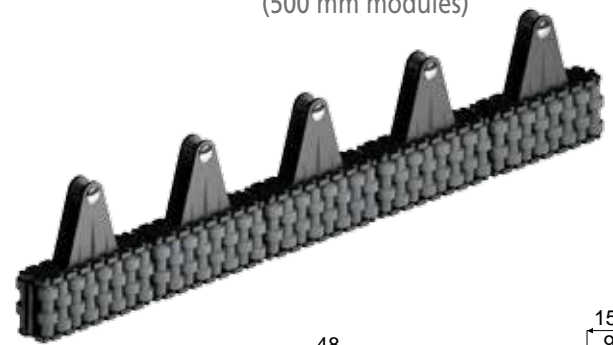
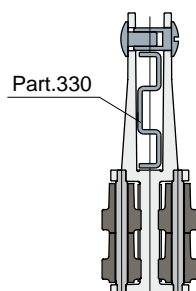
Roller central guide with round rollers (500 mm modules)

Part. **453**

Fixing with plate



Fixing with metal profile



Pins made of acetal	Pins made of stainless steel AISI 304
Code	Code
453 / 85379	453 / 85469

MATERIALS: Rollers in polyethylene grey colour; modules in acetal resin black colour; support pins in black acetal or in stainless steel AISI 304.

FEATURES: Supplied already assembled, in modules of 500 mm length, for 40x8 mm plate.

Min. curvature radius: 335 mm.

BOX QUANTITY: 12 pieces.

ON REQUEST:

- Module and rollers: Can be produced in other colours.
- Box quantity: According to your request.