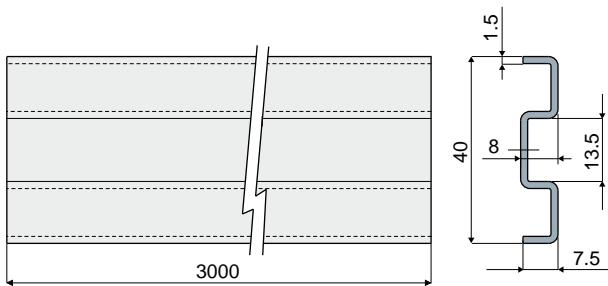


Product guides and accessories

Part. 330 Profiles for side guides



Stainless steel AISI 304	Stainless steel AISI 430
Code	Code
330 / 83089	330 / 83021

MATERIALS: Profiles in stainless steel AISI 430 or AISI 304.

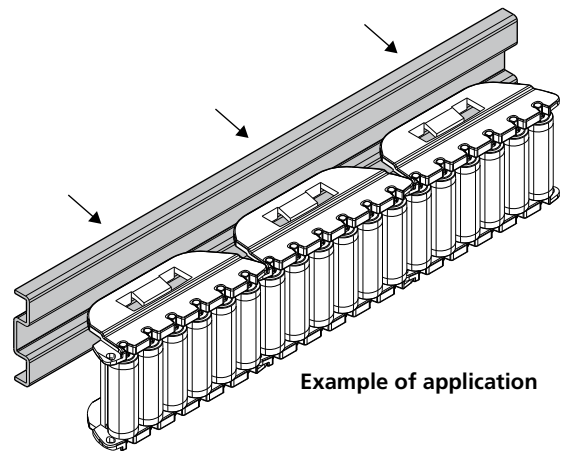
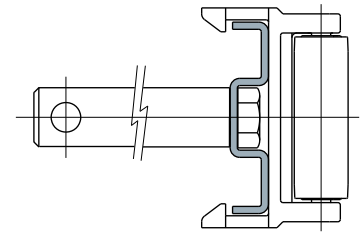
FEATURES: Supplied in bars of 3 meters length. Min. curvature radius: 500 mm. To be used with side guide Part.345, 423, 339, 422, 344, 421.

BOX QUANTITY: 2 bars of 3 meters (total 6 meters).

ON REQUEST:

- Box quantity: According to your request.

Example of application



Example of application