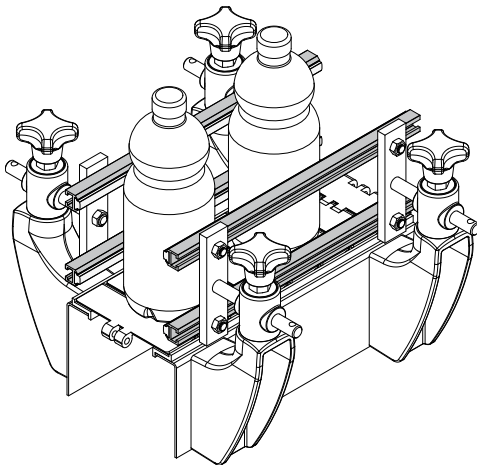


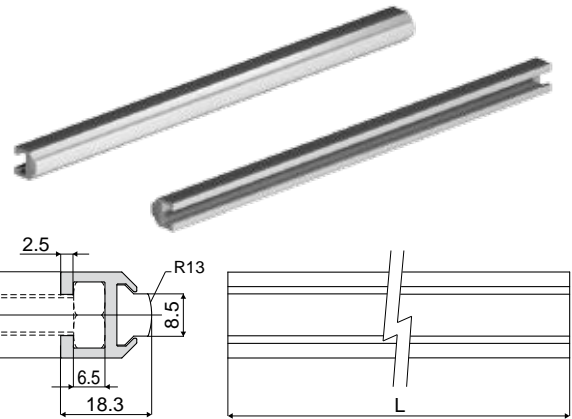
Product guides and accessories

Example of application



Guide rail (semicircular)

Part. **438**



Code	L
438 / 85237	3 Mt.
438 / 85238	6 Mt.

MATERIALS: Guide profile in UHMWPE white colour, metal profile in anodized aluminium.
FEATURES: Min. curvature radius: 110 mm.

BOX QUANTITY:

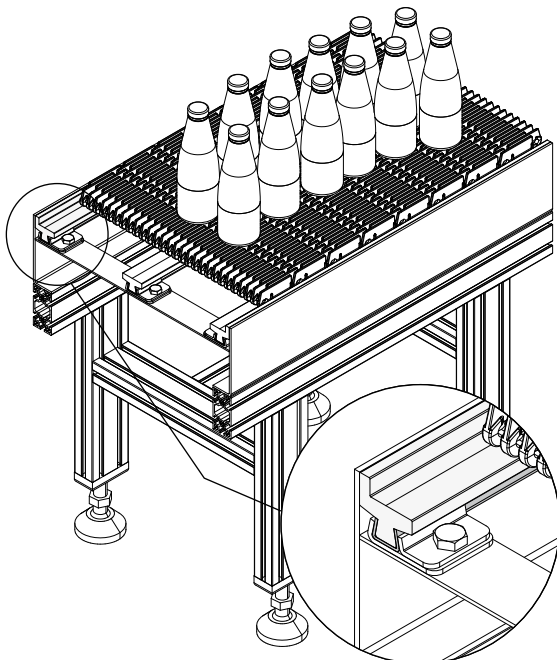
- 3 Mt. lengths version: This item is sold in Mt. - Min. 6 Mt. (2 lengths);
- 6 Mt. lengths version: This item is sold in Mt. - Min. 12 Mt. (2 lengths).

ON REQUEST:

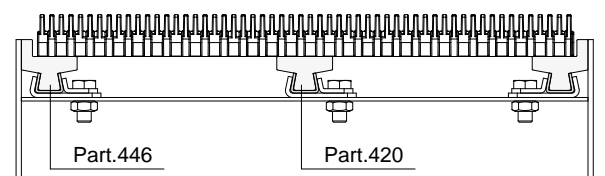
- Box quantity: According to your request.

Chain guides and accessories

Example of application

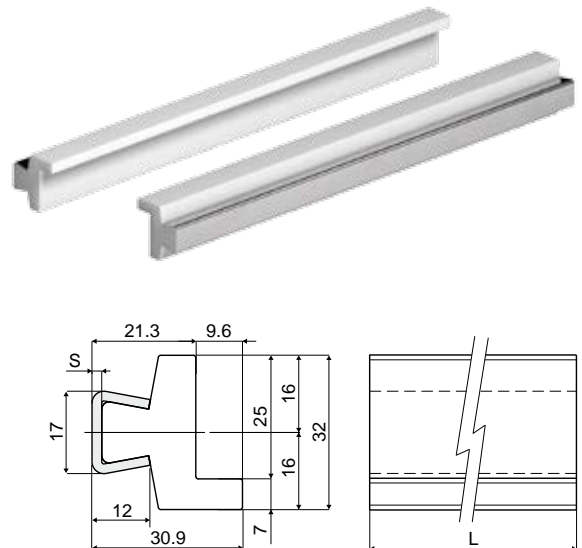


Example of application



Chain guide rail (with metal profile)

Part. **446**



Code	S	L
446 / 85355	1,5	6 Mt.
446 / 85356	1,5	3 Mt.
446 / 85358	2	6 Mt.
446 / 85357	2	3 Mt.

MATERIALS: Plastic profile in polyethylene natural colour; metal profile in stainless steel AISI 304.
FEATURES: Supplied already assembled in lengths of 3 or 6 meters. Min. curvature radius: 200 mm.

BOX QUANTITY:

- 3 Mt. lengths version: This item is sold in Mt. - Min. 6 Mt. (2 lengths);
- 6 Mt. lengths version: This item is sold in Mt. - Min. 12 Mt. (2 lengths).

ON REQUEST:

- Box quantity: According to your request.