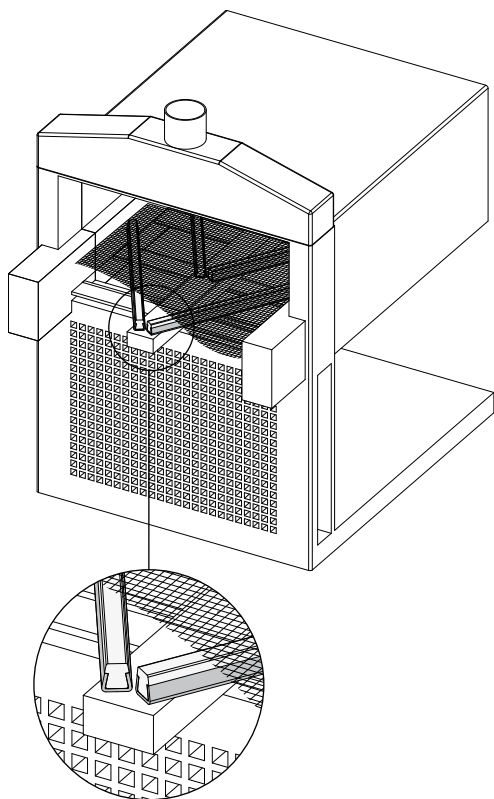


# Chain guides and accessories

Example of application

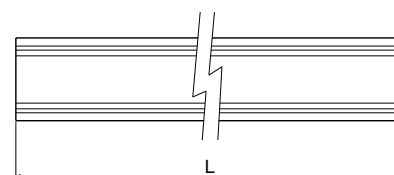
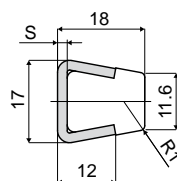


## Guide rail for high temperatures (with metal profile)

Part. **377**



Operating temperatures up to 260°C



Code	S	L
377 / 85476	1,5	3 Mt.
377 / 83973	2	3 Mt.

**MATERIALS:** Guide profile in PTFE (Teflon) natural colour; metal profile in stainless steel AISI 304.  
**FEATURES:** To be used in every application where the resistance to the high temperatures is needed; for example: ovens, fryers, filling areas with high temperature, steam rooms, kitchens etc. Supplied in 3 meters lengths. Min. curvature radius: 145 mm.

**BOX QUANTITY:** 2 bars of 3 meters (total 6 meters).

**ON REQUEST:**

- Box quantity: According to your request.