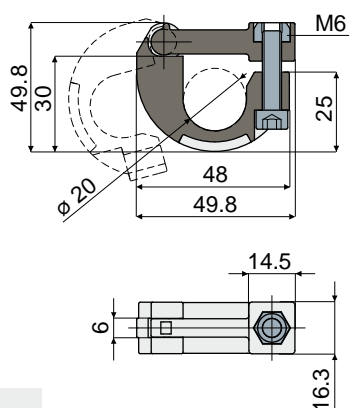


Chain guides and accessories

Part. 461 Hinge joint



Code
461 / 85473

MATERIALS: Joint in reinforced polyamide black colour; bolts and nuts in stainless steel AISI 304.

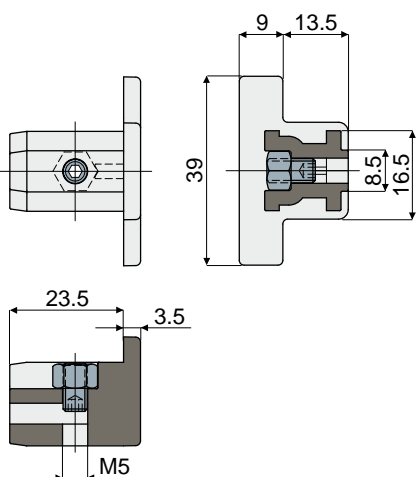
FEATURES: To be used to join the guides Part.381, 384, 513 (excluding versions with aluminium metal profile); supplied complete with bolts and nuts.

BOX QUANTITY: 8 pieces.

ON REQUEST:

- Joints: In other colours.
- Box quantity: According to your request.

Part. 492 Closing cap (for chain guide profile Part.381)



Code
492 / 87013

MATERIALS: Cap in reinforced polyamide grey colour; nut and grub screw in stainless steel AISI 304.

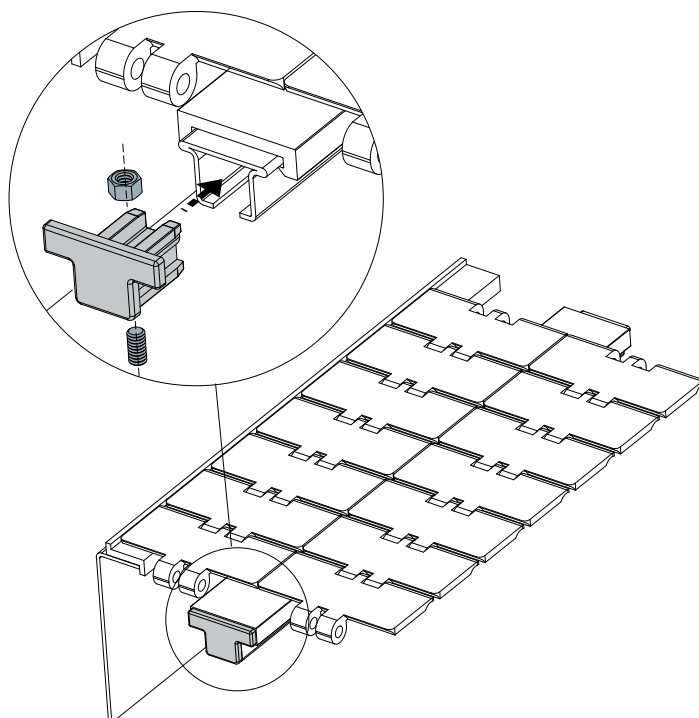
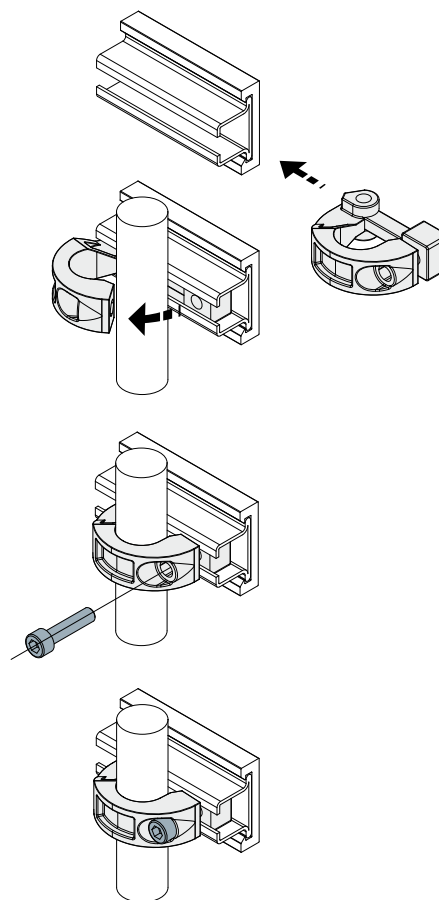
FEATURES: To be used as a closure cap at the extremities of the chain guide profiles Part.381, 384, 513 (excluding versions with aluminium metal profile).

BOX QUANTITY: 24 pieces.

ON REQUEST:

- Assembling of: Nuts and grub screws.
- Box quantity: According to your request.

Example of application



Example of application