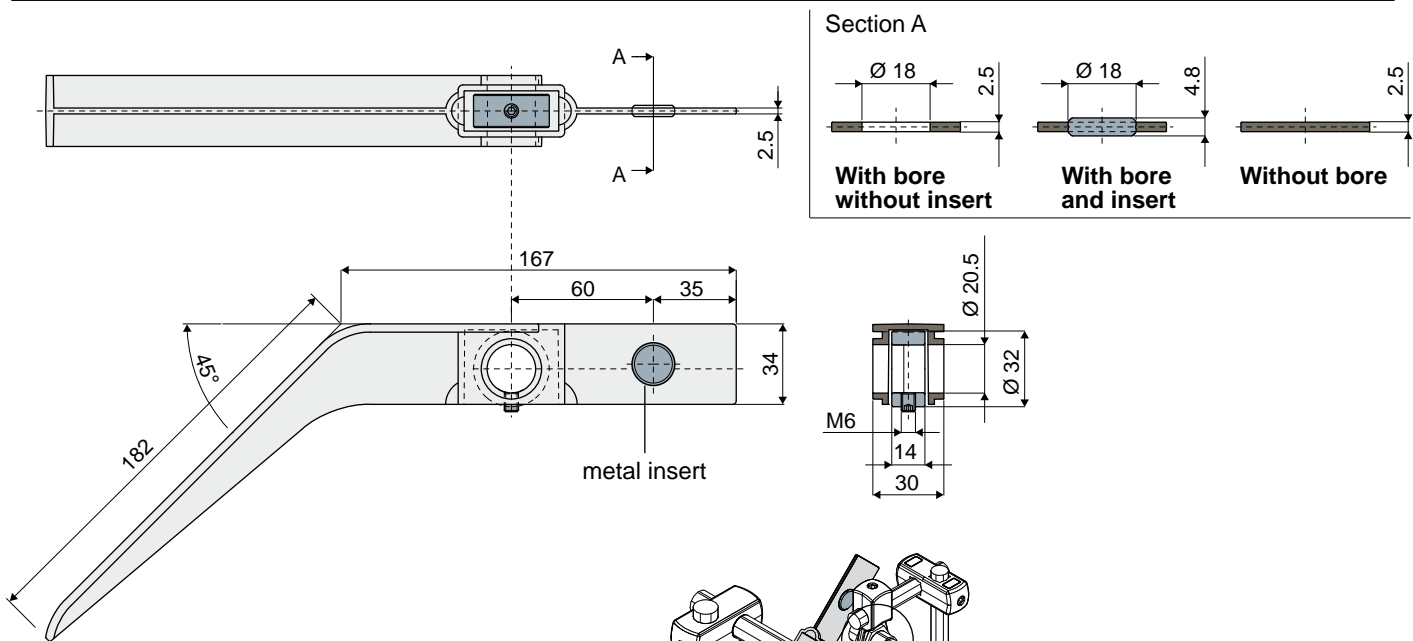


Process control

Scanning lever Part. 360



Stop ring in zinc plated steel		
Without bore	With bore without sensor insert	With bore and sensor insert
Code	Code	Code
360 / 83606	360 / 83607	360 / 83608

Stop ring in stainless steel AISI 304		
Without bore	With bore without sensor insert	With bore and sensor insert
Code	Code	Code
360 / 84091	360 / 85184	360 / 85185

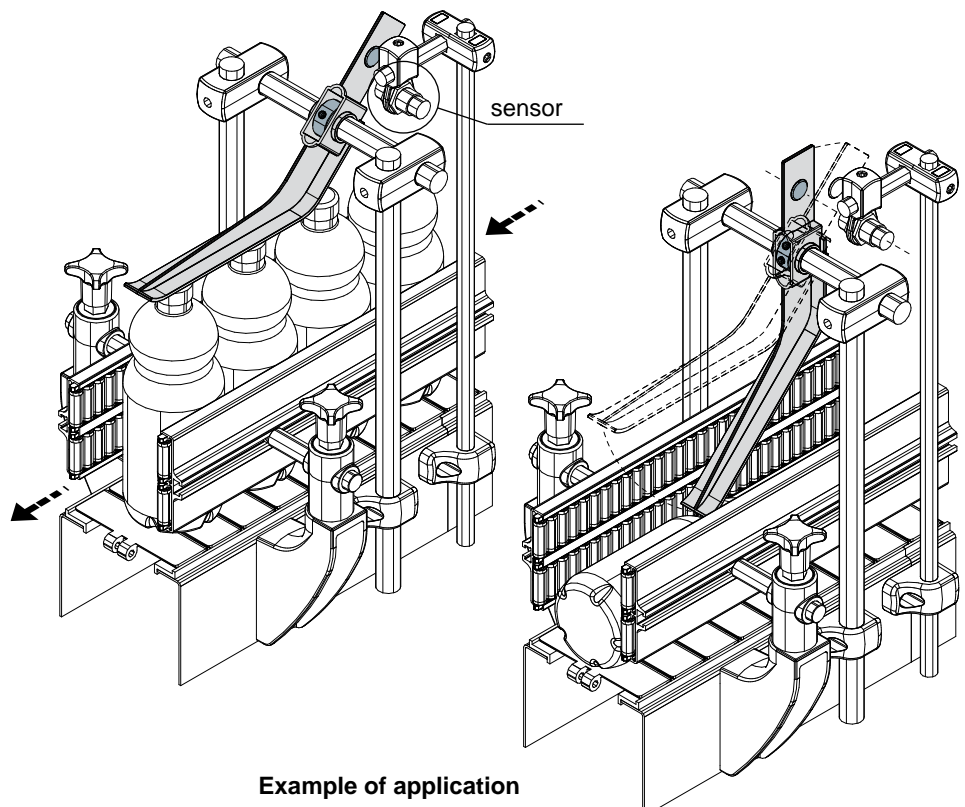
MATERIALS: Scanning lever in reinforced polyamide black colour; grain and collar in zinc plated steel or stainless steel AISI 304.

FEATURES: Supplied assembled. To be used in the surveying of the packaged products.

BOX QUANTITY: 24 pieces.

ON REQUEST:

- Scanning levers: Versions without stop ring nor sensor insert; in different colours.
- Box quantity: According to your request.



Example of application