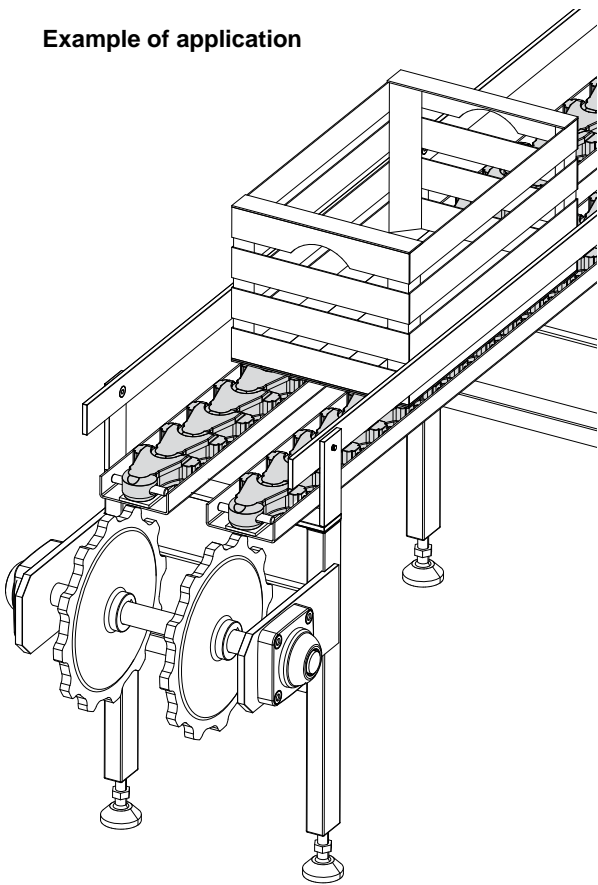


Chains and accessories

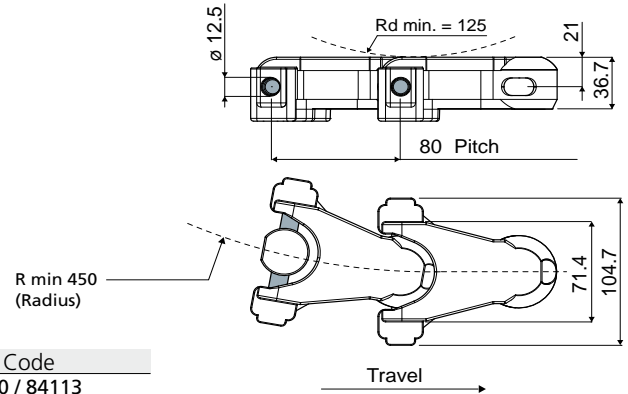
Example of application



Cardanic chain

(sideflexing for important loads; pitch 80 mm)

Part. **700**



Code
700 / 84113

MATERIALS: Chain made of natural acetal; notch made of polyamide; pin made of stainless steel AISI 430.

FEATURES: To be used in the conveyor systems; for important loads (breaking load: 19600 N).

BOX QUANTITY: 3,040 meters.

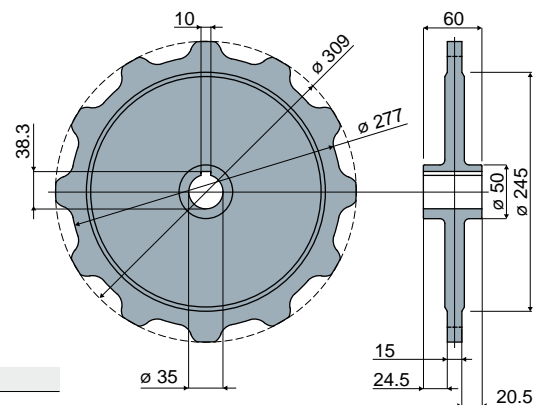
ON REQUEST:

- Chains: In different colours.
- Box quantity: According to your request.

Sprocket 12 teeth

(for cardanic chain Part. 700)

Part. **704**



Code
704 / 84207

MATERIALS: Sprockets in zinc plated steel.

FEATURES: To be used with chain Part.700.

BOX QUANTITY: 2 pieces.

ON REQUEST:

- Sprockets: In different materials.
- Box quantity: According to your request.