



Square flanged bearing supports

Serie **UCF/CX**
Serie **MUCF/CX**



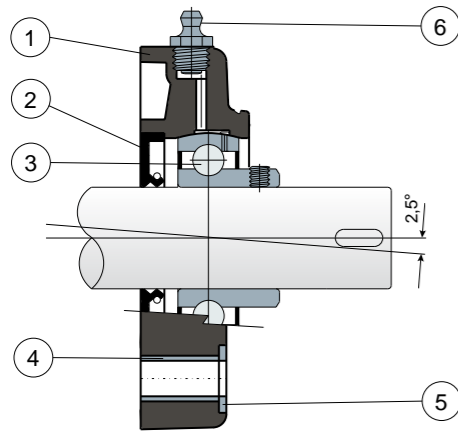
Self-aligning bearings with Solid body: completely closed surface to guarantee the max hygiene.



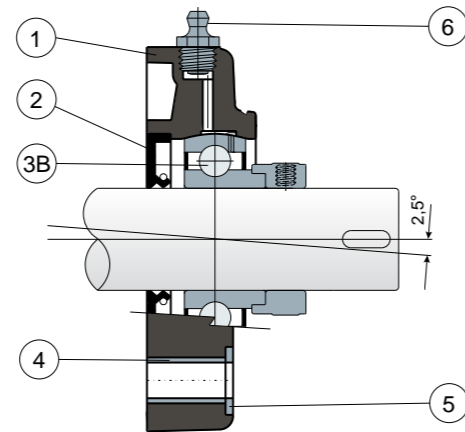
Long Life bearings: life long lubrication.



Grub screws shaft locking - Without protection cover



Eccentric collar shaft locking - Without protection cover



- 1) Housing made out of black, white or blue Ral 5005 colour polyamide reinforced with glass fibers.
- 2) Back gasket made out of NBR rubber for turning shaft seal.
- 3) Chrome steel or stainless steel bearing AISI 440.
- 3B) Chrome steel bearing.
- 4) Spacer for fixing reinforcement made out of stainless steel AISI 304.
- 5) UNI 6592 support washer made out of stainless steel AISI 304.
- 6) Greaser, straight type with 1/8 gas thread, made out of nickel-plated brass (absent in the versions with Long Life bearing).

NOTE: The protection cover can be ordered separately as an accessory; in the Long Life version, the greaser is absent and the lubrication channel is protected by a rubber cap.

Support dimensions respect ISO 3228 set of rules.

Maximum shaft alignment error 2,5°

For further information please contact our technical office or sales department.

MATERIALS: Housing is made out of PA + glass fiber in black, white or blue Ral 5005 colours; bearing with grub screws shaft locking in chrome steel or stainless steel; bearing with eccentric collar shaft locking in chrome steel; greaser made out of nickel plated brass; reinforcement bushings and washers made out of stainless steel AISI 304; gaskets made out of NBR rubber; cover made out of polypropylene grey Ral 7042, blue Ral 5015, orange Ral 2004 or red Ral 3000 colour.

FEATURES: The protection cover can be ordered separately as an accessory. Assembly with not shouldered shafts. Maximum shaft alignment error 2.5°.

BOX QUANTITY: 8 pieces.

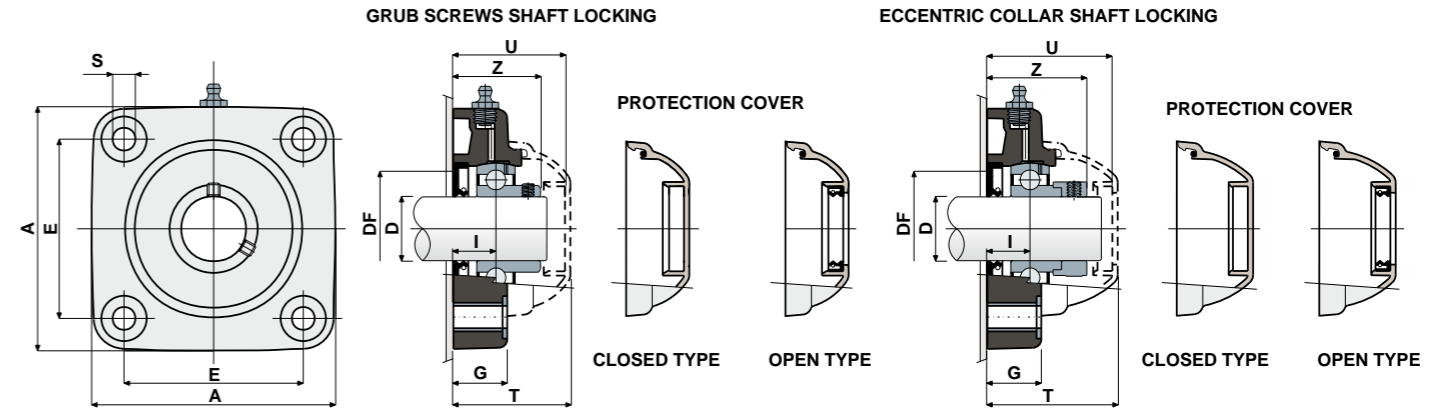
ON REQUEST: Versions with body in polypropylene + glass fiber and antibacterial additive; protection covers in different colours and with customized brand; box quantity according to your request; Viton gaskets.



Square flanged bearing supports

Technical data

Serie **UCF/CX**
Serie **MUCF/CX**



GRUB SCREWS SHAFT LOCKING

D	SERIE	CHROME STEEL BEARING														COVER CODES												
		Support CODES						DIMENSIONS (mm)								Bearing load (N)		Bearing support load		GREY RAL 7042		BLUE RAL 5015		ORANGE RAL 2004		RED RAL 3000		
		Standard bearing		Long Life bearing				E	A	S	G	I	Z	U	T	DF Max	DF Min	C	CO	(N)	Closed	Open	Closed	Open	Closed	Open	Closed	Open
20	UCF 204 CX	80252	84612	87440	86081	89406	89414	63,5	90	10,5	19	15,5	33,8	44	46,5	45	40	12800	6600	16500	80254	80255	87259	83901	82305	82306	87540	87541
25	UCF 205 CX	80175	84613	87436	88632	89407	89415	70	99,5	10,5	22	17,4	36,9	47	49,5	50	45	14000	7800	17000	80075	80076	85384	85385	82276	82277	87542	87543
30	UCF 206 CX	80176	84614	87437	85276	89408	89416	83	113	10,5	26	20,7	41,7	52,5	55	60	50	19500	11300	17500	80011	80053	84100	80354	82278	82279	87531	87530
30	MUCF 206 CX	80789	84615	87673	87150	89409	89417	83	113	10,5	26	20,7	41,3	65	68	60	50	19500	11300	17500	80256	80494	83088	87271	82280	87555	87528	87569
35	UCF 207 CX	80177	84616	87438	89117	89410	89418	92	122	10,5	26	20	43,2	57	59	70	55	25500	15300	18000	80077	80078	80969	80275	82284	82285	87544	87545
35	MUCF 207 CX	83462	84617	87674	89405	89411	89419	83	113	10,5	26	20	42,8	65	68	70	55	25500	15300	18000	80256	80495	83088	87277	82280	87557	87528	87529
40	UCF 208 CX	80253	84618	87439	86698	89412	89420	102	133	10,5	26	19,5	44,8	65	68	78	65	32500	19800	18000	80256	80257	83088	86722	82280	82281	87528	82804
40	MUCF 208 CX	80701	84619	87675	86169	89413	89421	83	113	10,5	26	19,5	44,8	65	68	78	65	32500	19800	18000	80256	80257	83088	86722	82280	82281	87528	82804

ECCENTRIC COLLAR SHAFT LOCKING

D	SERIE	CHROME STEEL BEARING														COVER CODES						
		Support CODES						DIMENSIONS (mm)								Bearing load (N)		Bearing support load		GREY RAL 7042		
		Standard bearing		Long Life bearing				E	A	S	G	I	Z	U	T	DF Max	DF Min	C	CO	(N)	Closed	Open
20	UCF 204 CX	88440	88448	88456	88768	89429	89437	63,5	90	10,5	19	15,5	39	51	53,5	45	40	12800	6600	16500	88371	88372
25	UCF 205 CX	88441	88449	88457	89422	89430	89438	70	99,5	10,5	22	17,4	40,9	52,9	55,4	50	45	14000	7800	17000	88373	88374
30	UCF 206 CX	88442	88450	88458	89423	89431	89439	83	113	10,5	26	20,7	47,4	59,4	61,9	60	50	19500	11300	17500	88375	88376
30	MUCF 206 CX	88443	88451	88459	89424	89432	89440	83	113	10,5	26	20,7	47	65	68	60	50	19500	11300	17500	80256	80494
35	UCF 207 CX	88444	88452	88460	89425	89433	89441	92	122	10,5	26	20	49,3	61,3	63,8	70	55	25500	15300	18000	88377	88378
35	MUCF 207 CX	88445	88453	88461	89426	89434	89442	83	113	10,5	26	20	48,9	65	68	70	55	25500	15300	18000	80256	80495
40	UCF 208 CX	88446	88454	88462	89427	89435	89443	102	133	10,5	26	19,5	52,2	65	68	78	65	32500	19800	18000	80256	80257
40	MUCF 208 CX	88447	88455	88463	89428	89436	89444	83	113	10,5	26	19,5	52,2	65	68	78	65	32500	19800	18000	80256	80257

GRUB SCREWS SHAFT LOCKING

D	SERIE	STAINLESS STEEL BEARING AISI 440														COVER CODES												
		Support CODES						DIMENSIONS (mm)								Bearing load (N)		Bearing support load		GREY RAL 7042		BLUE RAL 5015		ORANGE RAL 2004		RED RAL 3000		
		Standard bearing		Long Life bearing				E	A	S	G	I	Z	U	T	DF Max	DF Min	C	CO	(N)	Closed	Open	Closed	Open	Closed	Open	Closed	Open
20	UCF 204 CX	81047	84620	87668	89445	89450	89457	63,5	90	10,5	19	15,5	33,8	44	46,5	45	40	8300	6600	16500	80254	80255	87259	83901	82305	82306	87540	87541
25	UCF 205 CX	81049	84621	87669	85021	85513	88101	70	99,5	10,5	22	17,4	36,9	47	49,5	50	45	9150	7800	17000	80075	80076	85384	85385	82276	82277	87542	87543
30	UCF 206 CX	81050	84622	87670	89446	89451	88861	83	113	10,5	26	20,7	41,7	52,5	55	60	50	12500	11200	17500	80011	80053	84100	80354	82278	82279	87531	87530
30	MUCF 206 CX	84042	84623	87676	87155	89452	89458	83	113	10,5	26	20,7	41,3	65	68	60	50	12500	11200	17500	80256	80494	83088	87271	82280	87555	87528	87569
35	UCF 207 CX	81051	84624	87671	89447	89453	89459	92	122	10,5	26	20	43,2	57	59	70	55	16600	15300	18000	80077	80078	80969	80275	82284	82285	87544	87545
35	MUCF 207 CX	82404	84625	87677	89448	89454	89460	83	113	10,5	26	20	42,8	65	68	70	55	16600	15300	18000	80256	80495	83088	87277	82280	87557	87528	87529
40	UCF 208 CX	80561	84626	87672	89449	89455	89461	102	133	10,5	26	19,5	44,8	65	68	78	65	20000	19000	18000	80256	80257	83088	86722	82280	82281	87528	82804
40	MUCF 208 CX	81043	84627	87678	88121	89456	89462	83	113	10,5	26	19,5	44,8	65	68	78	65	20000	19000	18000	80256	80257	83088	86722	82280	82281	87528	82804

GRUB SCREWS SHAFT LOCKING - VERSIONS WITH MEASURES IN INCHES

D	SERIE	CHROME STEEL BEARING														COVER CODES													
		Support CODES						DIMENSIONS (mm)								Bearing load (N)		Bearing support load		GREY RAL 7042		BLUE RAL 5015		ORANGE RAL 2004		RED RAL 3000			
		Standard bearing		Long Life bearing				E	A	S	G	I	Z	U	T	DF Max	DF Min	C	CO	(N)	Closed	Open	Closed	Open	Closed	Open	Closed	Open	
1"	25,4	UCF 205 CX	84493	84883	87679	89463	89466	89469	70	99,5	10,5	22	17,4	36,9	47	49,5	50	45	14000	7800	17000	80075	85202	85384	87273	82276	87660	87542	87663
1 1/4"	31,75	UCF 206 CX	84494	84884	87680	89464	89467	89470	83	113	10,5	26	20,7	41,7	52,5	55	60	50	19500	11300	17500	80011	85203	84100	87274	82278	87661	87531	87664
1 1/4"	31,75	MUCF 206 CX	84495	85182	87681	89465	89468	89471	83	113	10,5	26	20,7	41,3	65	68	60	50	19500	11300	17500	80256	85204	83088	87275	82280	87662	87528	87665

Inch dimensions conform to the British Imperial system