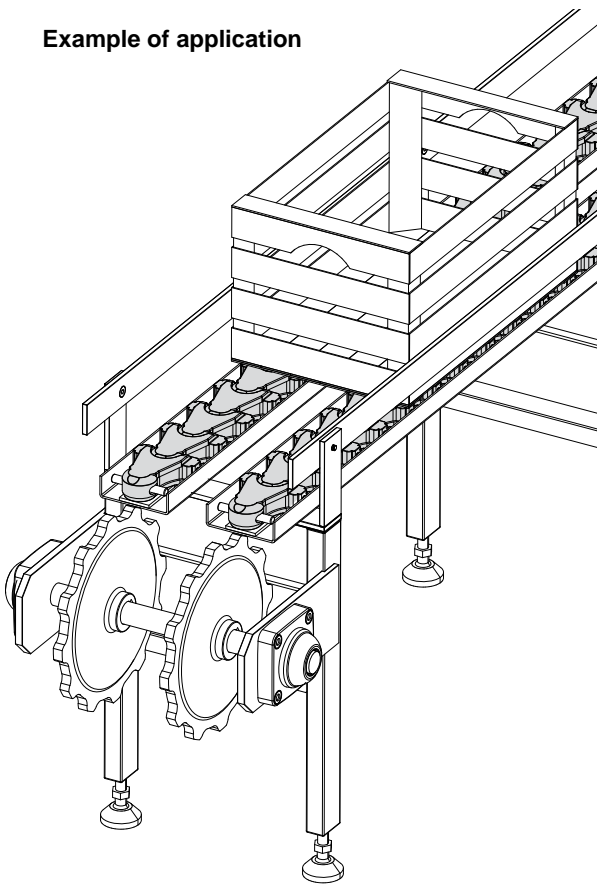


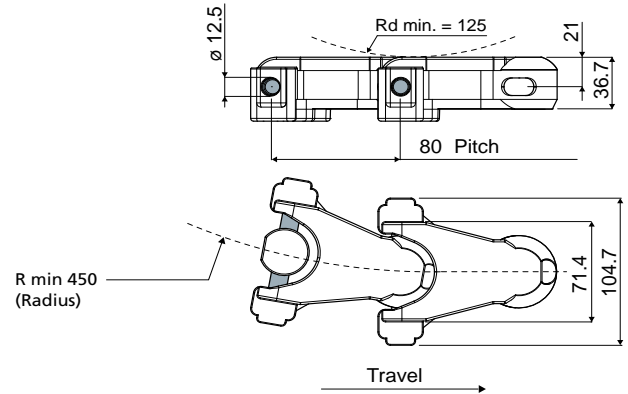
Chains and accessories

Example of application



Cardanic chain Part. 700

(sideflexing for important loads; pitch 80 mm)

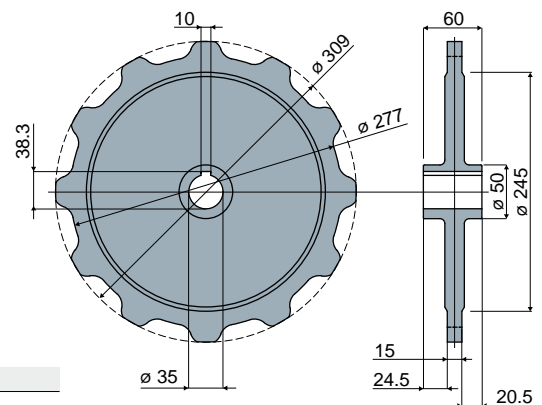


Code
700 / 84113

MATERIALS: Chain made of natural acetal; notch made of polyamide; pin made of stainless steel AISI 430.
FEATURES: To be used in the conveyor systems; for important loads (breaking load: 19600 N).
BOX QUANTITY: 3,040 meters.

Sprocket 12 teeth Part. 704

(for cardanic chain Part. 700)



Code
704 / 84207

MATERIALS: Sprockets in zinc plated steel.
FEATURES: To be used with chain Part.700.
BOX QUANTITY: 2 pieces.
ON REQUEST:

- Box quantity: According to your request.