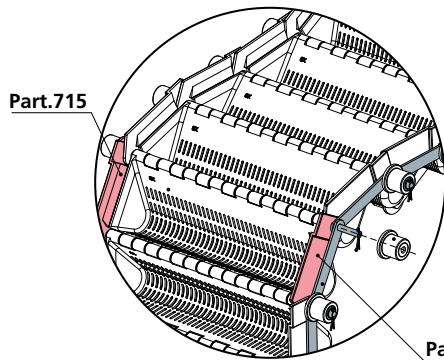
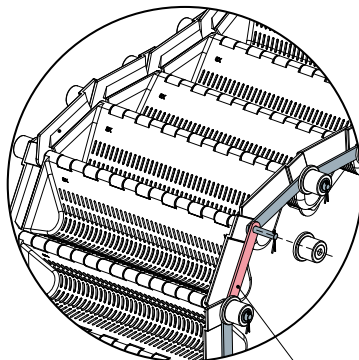


Chains and accessories

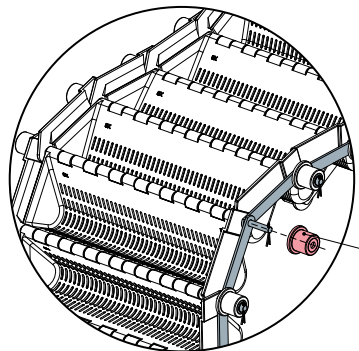


Part.715

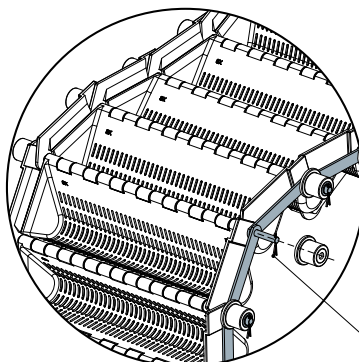
Part.715



Part.717



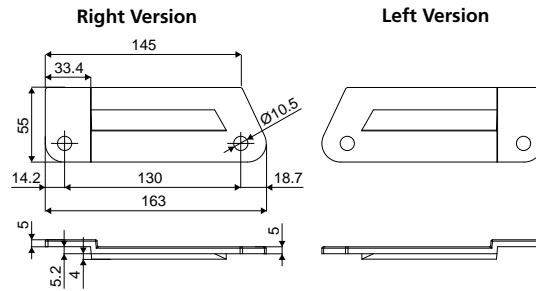
Part.716



Part.720

Side panel (for Part.719)

Part. 715



NEW

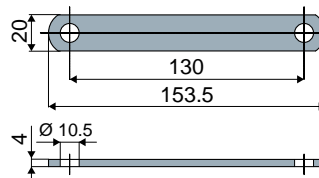
Code	Version
715 / 90430	Left
715 / 90431	Right

MATERIALS: Side panels in polypropylene, white colour.
FEATURES: To be used in the bucket conveyors Part.719.
BOX QUANTITY: 25 pieces.
ON REQUEST:

- Side rails: In different colours.
- Box quantity: According to your request.

Connecting rod (for Part.719)

Part. 717



NEW

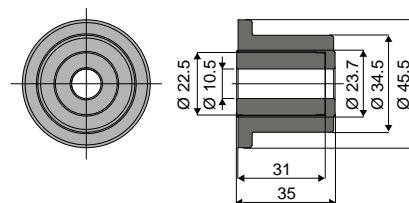
Code
717 / 90433

MATERIALS: Connecting rods in stainless steel AISI 304.
FEATURES: To be used in the bucket conveyors Part.719.
BOX QUANTITY: 50 pieces.
ON REQUEST:

- Box quantity: According to your request.

Roller (for Part.719)

Part. 716



NEW

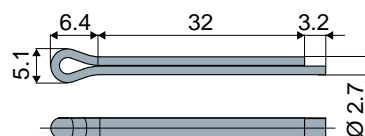
Code
716 / 90432

MATERIALS: Rollers in polyamide grey colour.
FEATURES: To be used in the bucket conveyors Part.719.
BOX QUANTITY: 50 pieces.
ON REQUEST:

- Rollers: In different colours.
- Box quantity: According to your request.

Split pin (for Part.719)

Part. 720



NEW

Code
720 / 90827

MATERIALS: Split pin in stainless steel AISI 304.
FEATURES: To be used in the bucket conveyors Part.719.
PACKAGING: 25 pieces.
ON REQUEST:

- Box quantity: According to your request.