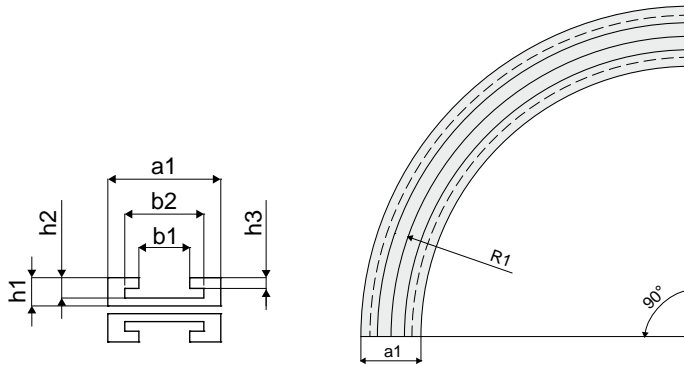


Corner and straight tracks



Corner tracks



Chain type	Chain width	R1 (mm)	a1 (mm)	b1 (mm)	b2 (mm)	h1 (mm)	h2 (mm)	h3 (mm)	Track type	Material	Cod. Tecom
879TAB-K325	82,5	500	100	45	70	25	18	9,5	Carry Return	PE 1000 PE 500	83445 83446
880TAB-K325											
881TAB-K325											
8811TAB-K325											
879TAB-K450	114,3	610	125	45	70	25	18	9,5	Carry Return	PE 1000 PE 500	83449 83450
880TAB-K450											
880TAB-K454											
881TAB-K450											
8811TAB-K450											
881TAB-K750	190,5	610	200	45	70	25	18	9,5	Carry Return	PE 1000 PE 500	83451 83452
8811TAB-K750											

MATERIALS: Upper parts in PE 1000, black colour and bottom parts in PE 500 black colour.

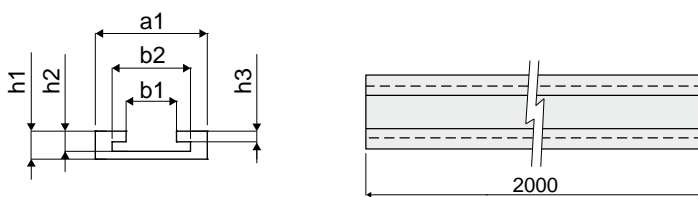
FEATURES: To be used to drive the chain in the corner sections.

BOX QUANTITY: 2 pieces.

ON REQUEST:

- **Box quantity:** According to your request.

Straight tracks



Chain type	Chain width	a1 (mm)	b1 (mm)	b2 (mm)	h1 (mm)	h2 (mm)	h3 (mm)	Material	Cod. Tecom
879TAB-K325	82,5	100	45	70	25	18	9,5	PE 500	83652
879BO-K325									
880TAB-K325									
881TAB-K325									
8811TAB-K325									
879TAB-K450	114,3	125	45	70	25	18	9,5	PE 500	83653
879BO-K450									
880TAB-K450									
881TAB-K450									
8811TAB-K450									

MATERIALS: Straight tracks in PE 500 black colour.

FEATURES: To be used to drive the chain in the straight sections.

BOX QUANTITY: 2 pieces.

ON REQUEST:

- **Box quantity:** According to your request.