



Oval flanged bearing supports (Solid)

Serie **UCFL/CX**



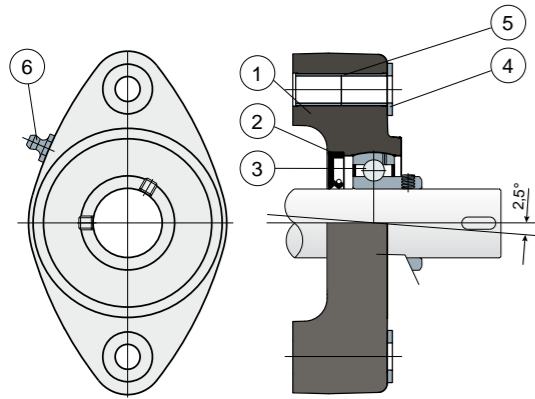
Self-aligning bearings with Solid body: completely closed surface to guarantee the max hygiene.



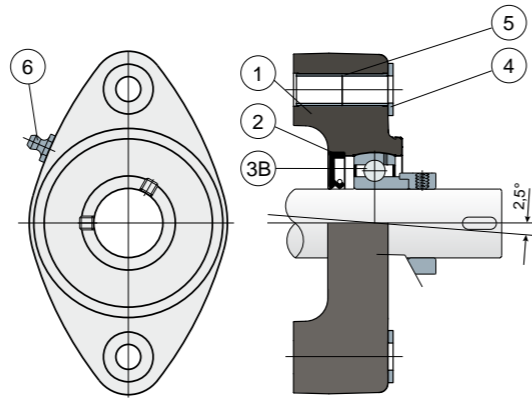
Long Life bearings: life long lubrication.



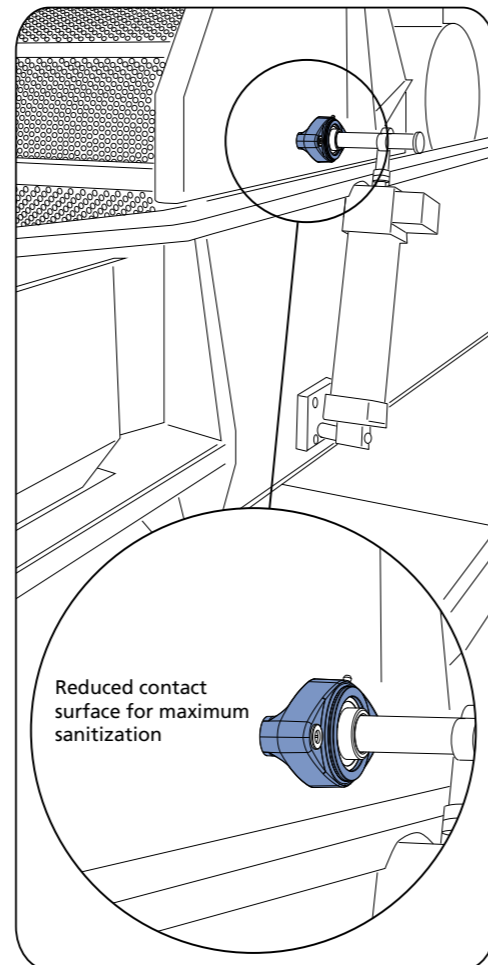
Grub screws shaft locking - Without protection cover



Eccentric collar shaft locking - Without protection cover



Example of application



- 1) Housing made out of blue Ral 5005 colour polyamide reinforced with glass fibers.
- 2) Back gasket made out of NBR rubber for turning shaft seal.
- 3) Chrome steel or stainless steel bearing AISI 440.
- 3B) Chrome steel bearing.
- 4) UNI 6592 support washer made out of stainless steel AISI 304.
- 5) Spacer for fixing reinforcement made out of stainless steel AISI 304.
- 6) Greaser, straight type with 1/8 gas thread, made out of stainless steel AISI 303 (absent in the versions with Long Life bearing).

NOTE: The protection cover can be ordered separately as an accessory; in the Long Life version, the greaser is absent and the lubrication channel is protected by a rubber cap.

Support dimensions respect ISO 3228 set of rules.

Maximum shaft alignment error 2,5°

For further information please contact our technical office or sales department.

MATERIALS: Support made out of blue Ral 5005 colour PA + glass fiber; bearing with grub screws shaft locking in chrome steel or stainless steel; bearing with eccentric collar shaft locking in chrome steel; greaser made out of stainless steel; reinforcement bushings and washers made out of stainless steel AISI 304; gaskets made out of NBR rubber; cover made out of polypropylene grey Ral 7042, blue Ral 5015, orange Ral 2004, red Ral 3000 colour.

FEATURES: The protection cover can be ordered separately as an accessory. Assembly with not shouldered shafts. The reduced contact surface of the base of the support allows maximum sanitization. Maximum shaft alignment error 2.5°.

BOX QUANTITY: 8 pieces.

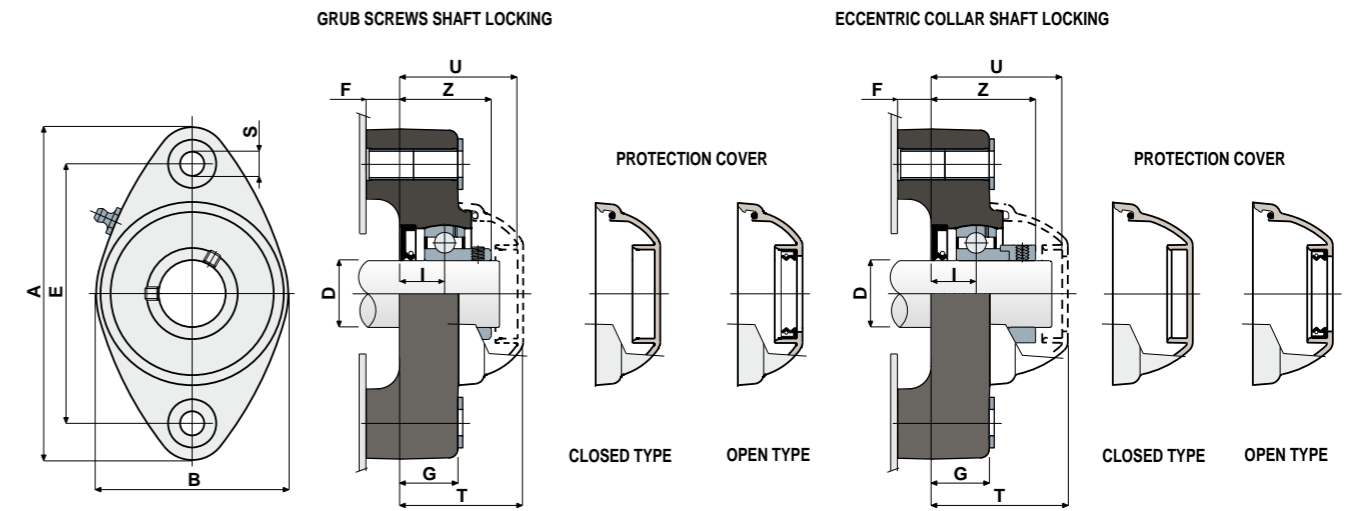
ON REQUEST: Versions with body in polypropylene + glass fiber and antibacterial additive; protection covers in different colours and with customized brand; box quantity according to your request; Viton gaskets; available without NBR rubber back gasket for turning shaft seal.

Oval flanged bearing supports (Solid)

Technical data



Serie **UCFL/CX**



GRUB SCREWS SHAFT LOCKING

D	SERIE	CHROME STEEL BEARING													COVER CODES									
		Support CODES		DIMENSIONS (mm)										Bearing load (N)			GREY RAL 7042							
		Standard bearing	Long Life bearing	E	A	B	S	F	G	I	Z	U	T	C	CO	(N)	Closed	Open	Closed	Open	Closed	Open		
25	UCFL 205 CX	88637	89840	99	131	72	10,5	15	22	17,4	36,9	47	49,5	14000	7800	10000	80075	80076	85384	85385	82276	82277	87542	87543
30	UCFL 206 CX	87427	89841	117	149	86	10,5	15	26	20	41	52,5	55	19500	11300	13000	80011	80053	84100	80354	82278	82279	87531	87530

ECCENTRIC COLLAR SHAFT LOCKING

D	SERIE	CHROME STEEL BEARING													COVER CODES			
		Support CODES		DIMENSIONS (mm)										Bearing load (N)			GREY RAL 7042	
		Standard bearing	Long Life bearing	E	A	B	S	F	G	I	Z	U	T	C	CO	(N)	Closed	Open
25	UCFL 205 CX	88649	89842	99	131	72	10,5	15	22	17,4	40,9	52,9	55,4	14000	7800	10000	88373	88374
30	UCFL 206 CX	88551	89843	117	149	86	10,5	15	26	20	46,7	59,4	61,9	19500	11300	13000	88375	88376

GRUB SCREWS SHAFT LOCKING

D	SERIE	STAINLESS STEEL BEARING AISI 440													COVER CODES									
		Support CODES		DIMENSIONS (mm)										Bearing load (N)			GREY RAL 7042							
		Standard bearing	Long Life bearing	E	A	B	S	F	G	I	Z	U	T	C	CO	(N)	Closed	Open	Closed	Open	Closed	Open		
25	UCFL 205 CX	88638	89844	99	131	72	10,5	15	22	17,4	36,9	47	49,5	9150	7800	10000	80075	80076	85384	85385	82276	82277	87542	87543
30	UCFL 206 CX	87751	89845	117	149	86	10,5	15	26	20	41	52,5	55	12500	11200	13000	80011	80053	84100	80354	82278	82279	87531	87530